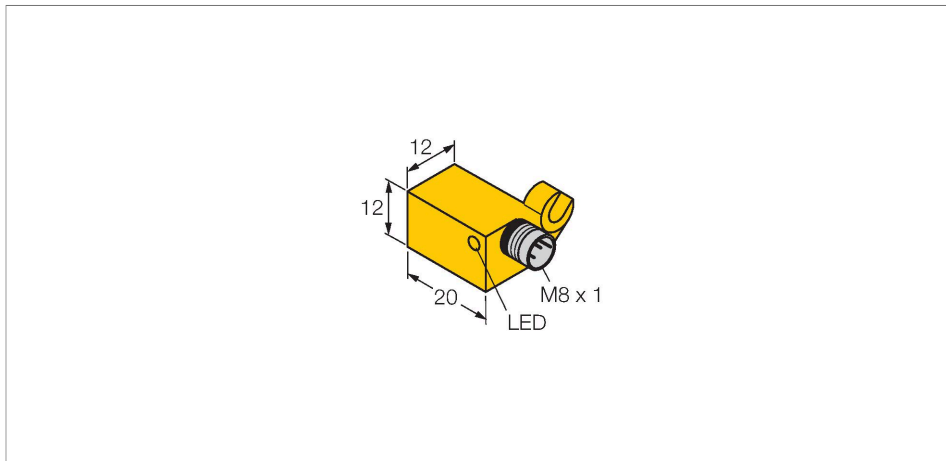


BIM-QST-AP6X-V1131

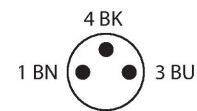
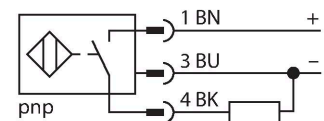
Magnetic Field Sensor – For Pneumatic Cylinders



Features

- Rectangular, height 12 mm
- Front active face
- Plastic, PA12-GF30
- Magnetic-inductive sensor
- DC 3-wire, 10...30 VDC
- NO contact, PNP output
- Male connector, M8 x 1

Wiring diagram




Technical data

Type	BIM-QST-AP6X-V1131
Ident. no.	4688200
Pass speed	≤ 10 m/s
Repeatability	≤ ± 0.1 mm
Temperature drift	≤ 0.1 mm
Hysteresis	≤ 1 mm
Ambient temperature	-25...+70 °C
Operating voltage	10...30 VDC
Residual ripple	≤ 10 % U _s
DC rated operational current	≤ 200 mA
No-load current	≤ 15 mA
Residual current	≤ 0.1 mA
Isolation test voltage	≤ 0.5 kV
Short-circuit protection	yes / Cyclic
Voltage drop at I _e	≤ 1.8 V
Wire breakage/Reverse polarity protection	yes / Complete
Output function	3-wire, NO contact, PNP
Switching frequency	1 kHz
Design	Rectangular, QST
Dimensions	20 x 12 x 12 mm
Housing material	Plastic, PA12-GF30
Active area material	Plastic, PA12-GF30
Electrical connection	Connector, M8 x 1
Vibration resistance	55 Hz (1 mm)

Functional principle

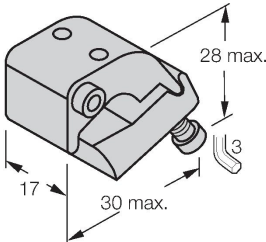
Magnetic field sensors are activated by magnetic fields and are especially suited for piston position detection in pneumatic cylinders. Based on the fact that magnetic fields can permeate non-magnetizable metals, it is possible to detect a permanent magnet attached to the piston through the aluminium wall of the cylinder.

Technical data

Shock resistance	30 g (11 ms)
Protection class	IP67
MTTF	2283 years acc. to SN 29500 (Ed. 99) 40 °C
Mounting on the following profiles	
Cylindrical design	# 
Switching state	LED, Yellow

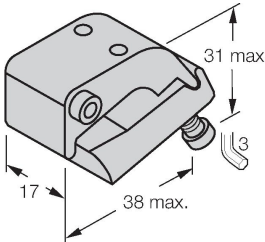
Accessories

KLQ1Z 6971911



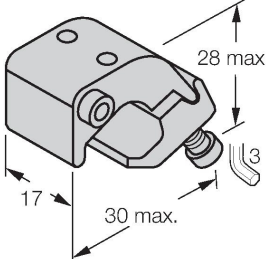
Mounting bracket for mounting magnetic field sensors on tie-rod cylinders; cylinder diameter 32... 63 mm; material: Anodized aluminum; please order mounting bracket separately

KLQ2Z 6971912



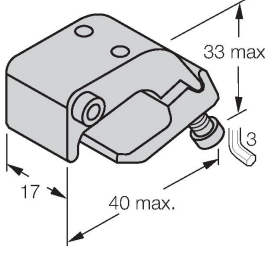
Mounting bracket for mounting magnetic field sensors on tie-rod cylinders; cylinder diameter 50... 125 mm; material: Anodized aluminum; please order mounting bracket separately

KLQ1 6971901



Mounting bracket for mounting magnetic field sensors on profile cylinders; cylinder diameter 32... 50 mm; material: Anodized aluminum; please order mounting bracket separately

KLQ2 6971902



Mounting bracket for mounting magnetic field sensors on profile cylinders; cylinder diameter 50... 100 mm; material: Anodized aluminum; please order mounting bracket separately