
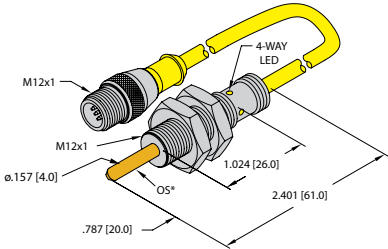
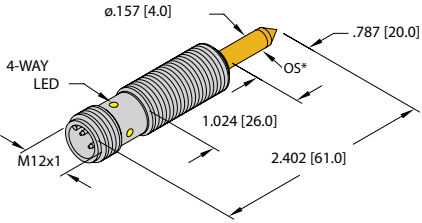
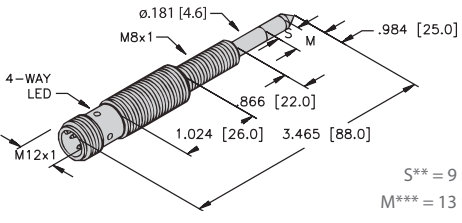
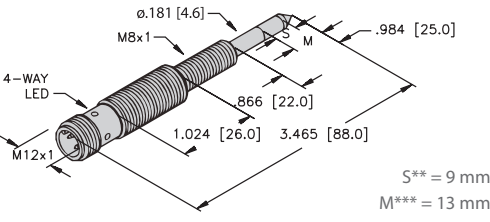
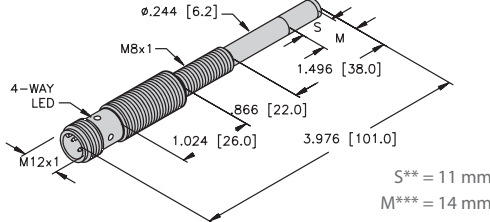
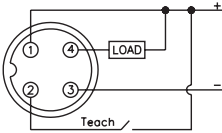
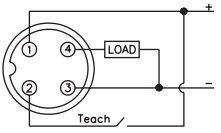


Specialty Sensors | Weld Nut Sensors

Threaded Metal Barrel with Smooth Sensing Probe and 3-Wire DC Output

Housing Style	Dimension Drawings	
	<p>A</p>  <p>Nut Sensor, 5-12 mm Diameter Nut, Potted-In Cable</p>	
<p>B</p>  <p>Nut Sensor, 5-12 mm Diameter Nut, M12 Eurofast Connector</p>	<p>C</p>  <p>S** = 9 mm M*** = 13 mm</p> <p>Nut Sensor, 6-12 mm Diameter Nut, M12 Eurofast Connector</p>	
<p>D</p>  <p>S** = 9 mm M*** = 13 mm</p> <p>Nut Sensor, 6-12 mm Diameter Nut, M12 Eurofast Connector</p>	<p>E</p>  <p>S** = 11 mm M*** = 14 mm</p> <p>Nut Sensor, 10-20 mm Diameter Nut, M12 Eurofast Connector</p>	
Wiring Diagrams/Mating Cordsets		
<p>1</p>  <p>Mating Cordset: RK 4.4T-*</p>	<p>2</p>  <p>Mating Cordset: RK 4.4T-*</p>	
A24 3-wire DC Nut Detection Sensor (AP, AN)		
<p>Ripple: ≤10%</p> <p>Voltage Drop Across Conducting Sensor: ≤1 V</p> <p>Trigger Current for Short Circuit Protection: ≥220 mA on 200 mA Load Current</p> <p>No-Load Current: ≤15 mA</p> <p>Off-State (Leakage) Current: ≤0.1 mA</p>	<p>Reverse Polarity Protection: Incorporated</p> <p>Wire-Break Protection: Incorporated</p> <p>Shock: 30 g, 11 ms</p> <p>Vibration: 55 Hz, 1 mm Amplitude, in all 3 Planes</p>	

Note:
 OS* The optimal sensitive area for the 4.0 mm diameter probes has a width of 0.5 mm and is laser-engraved on the tip of the probe, 11.9 mm above the M12 thread.
 S** Sensitive area: Within this area the sensor signal changes when assembly parts are changed.
 M*** Maximum area: The maximum signal intensity is reached if the sensitive area is completely covered.

Optional teach adapter available, part number VB2-SP1.

We reserve the right to make technical alterations without prior notice.

Specialty Sensors | Weld Nut Sensors

Threaded Metal Barrel with Smooth Sensing Probe and 3-Wire DC Output

Part Number/ ID Number	Features	Nut Diameter	Output	Voltage	Operating Current (mA)	Operating Temp. (°C)	Protection	Housing	Power LED	Output LED	Cable Length/Jacket	Dimension Drawings	Wiring Diagrams	Spec List
NIMFE-EM12/4.0L61-UP6X-0.3XYE-RS4/S1182 1600623	Titanium Nitride	5-12 mm	3-wire DC PNP	10-30 VDC	≤200	-25 to +70	IP67	SS	GN	YE	0.3M/TPE	A	2	A24
NIMFE-EM12/4.0L61-UN6X-0.3XYE-RS4/S1182 1600624	Titanium Nitride	5-12 mm	3-wire DC NPN	10-30 VDC	≤200	-25 to +70	IP67	SS	GN	YE	0.3M/TPE	A	1	A24
NIMFE-EM12/4.0L61-UP6X-H1141/S1182 1600621	Titanium Nitride	5-12 mm	3-wire DC PNP	10-30 VDC	≤200	-25 to +70	IP67	SS	GN	YE	--	B	2	A24
NIMFE-EM12/4.0L61-UN6X-H1141/S1182 1600622	Titanium Nitride	5-12 mm	3-wire DC NPN	10-30 VDC	≤200	-25 to +70	IP67	SS	GN	YE	--	B	1	A24
NIMFE-M12/4.6L88-UN6X-H1141 1600610		6-12 mm	3-wire DC NPN	10-30 VDC	≤200	-25 to +70	IP67	CPB	GN	YE	--	C	1	A24
NIMFE-EMT12/4.6L88-UN6X-H1141 1600618	PTFE Coated	6-12 mm	3-wire DC NPN	10-30 VDC	≤200	-25 to +70	IP67	SS	GN	YE	--	C	1	A24
NIMFE-EM12/4.6L88-UN6X-H1141/S1182 1600617	Titanium Nitride	6-12 mm	3-wire DC NPN	10-30 VDC	≤200	-25 to +70	IP67	SS	GN	YE	--	C	1	A24
NIMFE-M12/4.6L88-UP6X-H1141 1600608		6-12 mm	3-wire DC PNP	10-30 VDC	≤200	-25 to +70	IP67	CPB	GN	YE	--	C	2	A24
NIMFE-EMT12/4.6L88-UP6X-H1141 1600619	PTFE Coated	6-12 mm	3-wire DC PNP	10-30 VDC	≤200	-25 to +70	IP67	SS	GN	YE	--	C	2	A24
NIMFE-EM12/4.6L88-UP6X-H1141/S1182 1600620	Titanium Nitride	6-12 mm	3-wire DC PNP	10-30 VDC	≤200	-25 to +70	IP67	SS	GN	YE	--	C	2	A24
NIMFE-EM12/4.9L88-UP6X-H1141/S1182 1600616	Titanium Nitride	6-12 mm	3-wire DC PNP	10-30 VDC	≤200	-25 to +70	IP67	SS	GN	YE	--	D	2	A24
NIMFE-M12/6.2L101-UN6X-H1141 1600611		10-20 mm	3-wire DC NPN	10-30 VDC	≤200	-25 to +70	IP67	CPB	GN	YE	--	E	1	A24
NIMFE-EMT12/6.2L101-UN6X-H1141 1600615	PTFE Coated	10-20 mm	3-wire DC NPN	10-30 VDC	≤200	-25 to +70	IP67	SS	GN	YE	--	E	1	A24
NIMFE-M12/6.2L101-UP6X-H1141 1600609		10-20 mm	3-wire DC PNP	10-30 VDC	≤200	-25 to +70	IP67	CPB	GN	YE	--	E	2	A24
NIMFE-EMT12/6.2L101-UP6X-H1141 1600613	PTFE Coated	10-20 mm	3-wire DC PNP	10-30 VDC	≤200	-25 to +70	IP67	SS	GN	YE	--	E	2	A24
NIMFE-EM12/6.2L101-UP6X-H1141/S1182 1600612	Titanium Nitride	10-20 mm	3-wire DC PNP	10-30 VDC	≤200	-25 to +70	IP67	SS	GN	YE	--	E	2	A24

We reserve the right to make technical alterations without prior notice.

Specialty Sensors