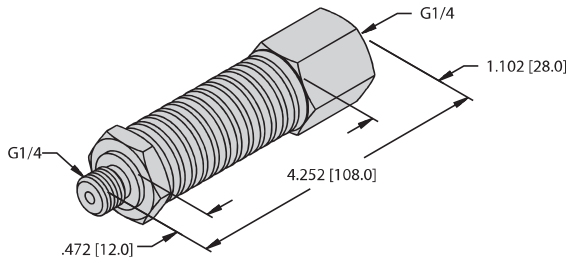


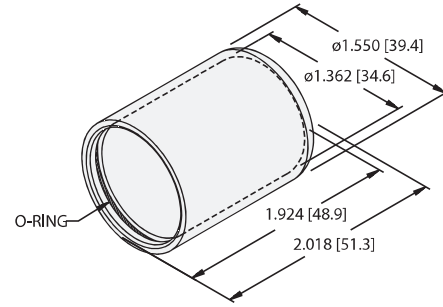
Protective Adaptors



**Heat Exchanger**

PCS-G1/4A4 | M6835015

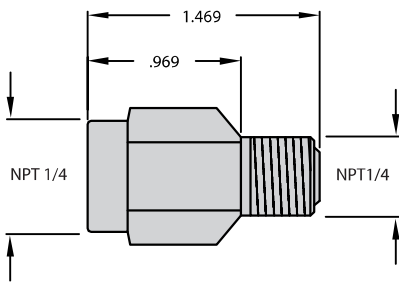
\*\*view High Temperature Applications on page 30



**PS Series Cover**

PTS-COVER | A9350

NOTE: only works with PS series sensors

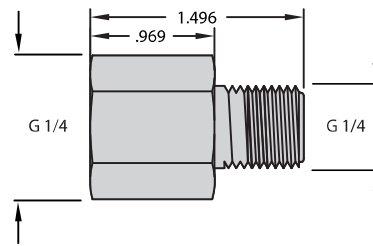


**Pressure Snubber**

PSC-N1/4A4-OIL | 100000742

PSC-N1/4A4-WATER | 100000741

\*view Pressure Spike And Transients on page 29



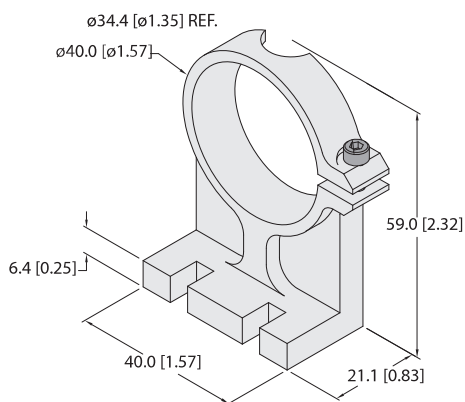
**Pressure Snubber**

PSC-G1/4A4-OIL | 100000744

PSC-G1/4A4-WATER | 100000740

\*view Pressure Spike And Transients on page 29

Mounting Adaptors



**Mounting Brackets**

PS/TS-MBT | A9919

NOTE: only works with PS series sensors