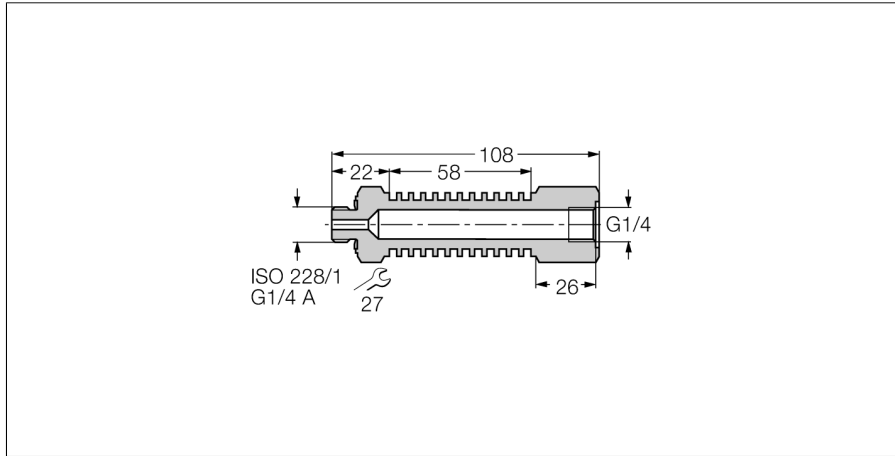


Accessories
Cooling Section
PCS-G1/4A4



- Cooling section G1/4"
- Liquids and gases
- Medium channel 4 mm
- Simple mounting

Functional principle

Heat sinks enable the use of pressure sensors at elevated medium temperatures. The hot medium is cooled down in the cooling section. Depending on the ambient temperature, the use of media having a temperature of more than 200 °C is possible without the transmitter taking damage. Different standardized pressure connections allow the combination with the pressure measurement systems from Turck.

Type designation	PCS-G1/4A4
Ident-No.	6835015
Type	PCS-G1/4A4
Ident. no.	6835015
Housing material	Stainless steel, V4A (1.4571)

