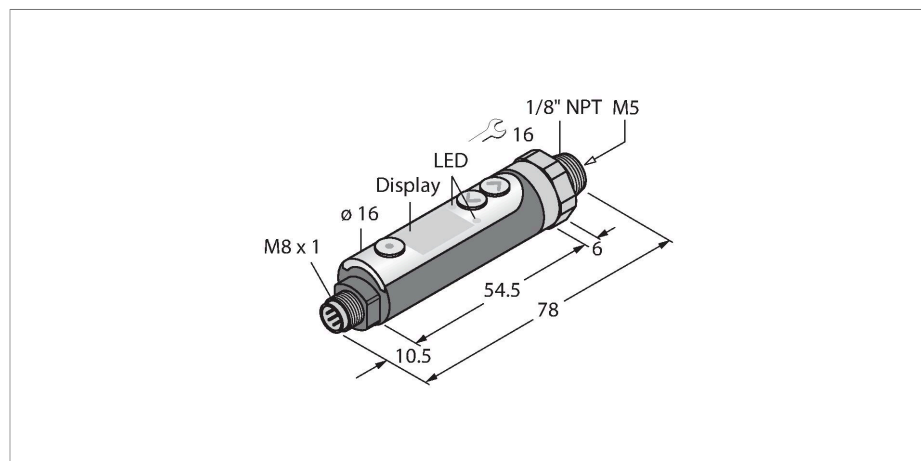


# PK010R-P14-2UP8X-V1141

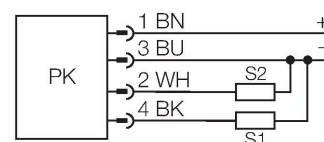
## Pressure Sensor – 2 PNP Transistor Switching Outputs



### Features

- Compact design
- Pressure and vacuum monitoring
- Rotatable body
- Display rotatable by 180°
- Excellent EMC properties
- Pressure range 0...10 bar rel.

### Wiring diagram



### Technical data

Type	PK010R-P14-2UP8X-V1141
Ident. no.	6833007
<b>Pressure range</b>	
Relative pressure	0...10 bar rel.
	0...145.04 psi
	0...1 MPa
Admissible overpressure	≤ 16 bar
Response time	< 2.5 ms
<b>Power supply</b>	
Operating voltage	10.8...30 VDC
Short-circuit/reverse polarity protection	yes / yes
Protection type and class	IP65
<b>Outputs</b>	
Output 1	Switching output
Output 2	switching output
<b>Switching output</b>	
Output function	NO/NC, PNP
Accuracy	± 1 % of final value BSL
Rated operational current	0.3 A
Switching frequency	≤ 400 Hz
Switch point:	0...100 %
<b>Temperature behaviour</b>	
Medium temperature	0...+50 °C

### Functional principle

The pressure transmitters of the PK series operate with a silicon measuring cell. Through the pressure applied on the silicon, a pressure proportional signal is generated and electronically processed. The processed signal is made available as switching output. The sensors are intended only for use in non-aggressive gas and compressed air applications. With lubricated compressed air, the pressure connection should point downwards

## Technical data

Temperature coefficient zero point $T_{k0}$	$\pm 0.15$ % of full scale/10 K
Temperature coefficient span $T_{ks}$	$\pm 0.15$ % of full scale/10 K
<b>Ambient conditions</b>	
Ambient temperature	-10...+50 °C
Storage temperature	-20...+85 °C
Vibration resistance	10...55 Hz 1.5 mm, XYZ 2 h
Shock resistance	10 g (11 ms) , acc. to IEC 68-2-27
EMV	Emitted interference acc. to EN 61000 EN 61000-6-4* Intrinsically safe acc. to EN 61000-6-2* * shielded connection cable recommended
<b>Housing</b>	
Housing material	Plastic, ABS
Pressure transducer material	Silicon
Process connection	NPT 1/4" male thread
Wrench size pressure connection / coupling nut	SW 16
Electrical connection	Connector, M8 x 1
<b>Reference conditions acc. to IEC 61298-1</b>	
Temperature	15...+25 °C
Atmospheric pressure	860...1060 hPa abs.
Humidity	45...75 % rel.
Auxiliary power	24 VDC
<b>Display</b>	
Display	3-digit 7-segment display, rotatable by 180°
Switching state	2 x LEDs, Red/Green
Programming options	switch/release point, hysteresis/window mode, NO/NC, muting, peak pressure memory
Unit display	LEDs for display of output status report
MTTF	acc. to SN 29500 (Ed. 99) 40 °C