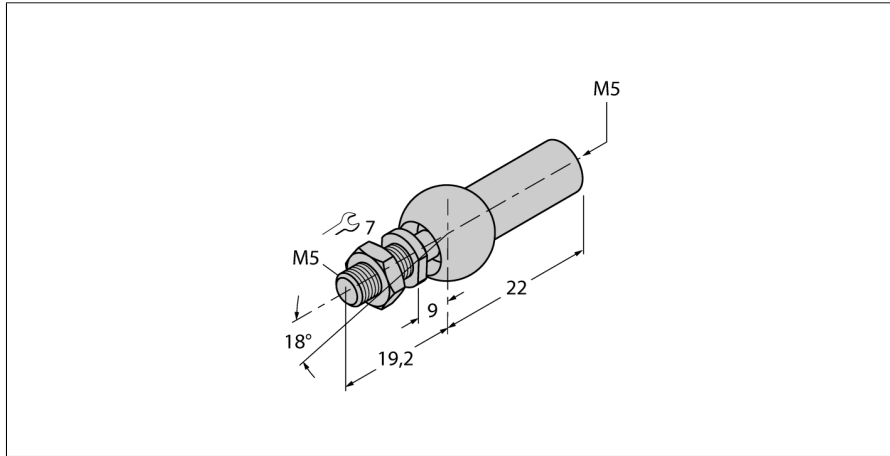


## Accessories

### Axial Joint for Guided Positioning Elements ABVA-M5



- Axial joint for M5 thread
- Stainless steel, 1.4305

Type designation	ABVA-M5
Ident-No.	6901058

Housing material	Stainless steel
------------------	-----------------