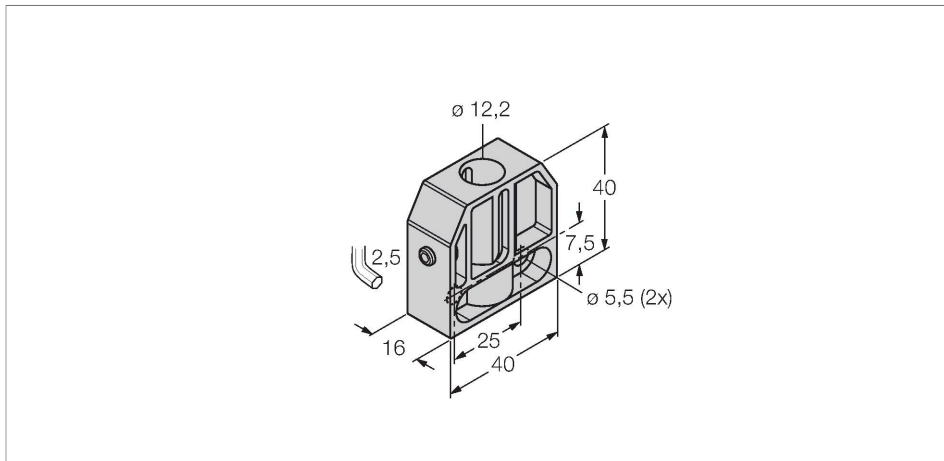


BS 12

Accessories – Mounting Clamp

Features

- Fixing clamp M12 x 1
- Plastic PBT



Technical data

Type	BS 12
Ident. no.	69470
Design	Accessories for threaded barrels, M12
Dimensions	40 x 45 x 22 mm
Housing material	Plastic, PBT