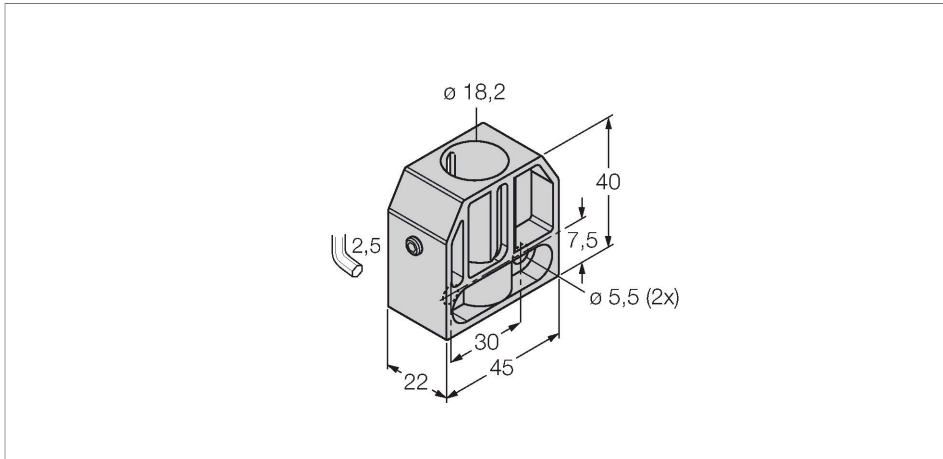


BS 18

Accessories – Mounting Clamp

Features

- Fixing clamp M18 x 1
- Plastic: PA6



Technical data

Type	BS 18
Ident. no.	69471
Design	Accessories for threaded barrels, M18
Dimensions	40 mm
Housing material	Plastic, PA6