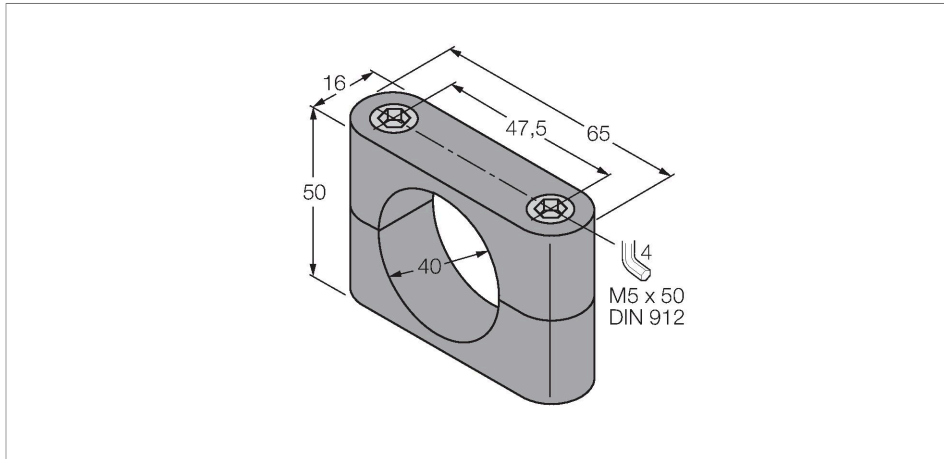


BS 40

Accessories – Mounting Clamp

Features

- Fixing clamp
- Plastic: PBT



Technical data

Type	BS 40
Ident. no.	69466
Design	Accessories for smooth barrels, 40 mm
Dimensions	16 x 65 x 50 mm
Housing material	Plastic, PBT

Accessories

K40SR
cylindrical, smooth barrel, 40 mm, plastic