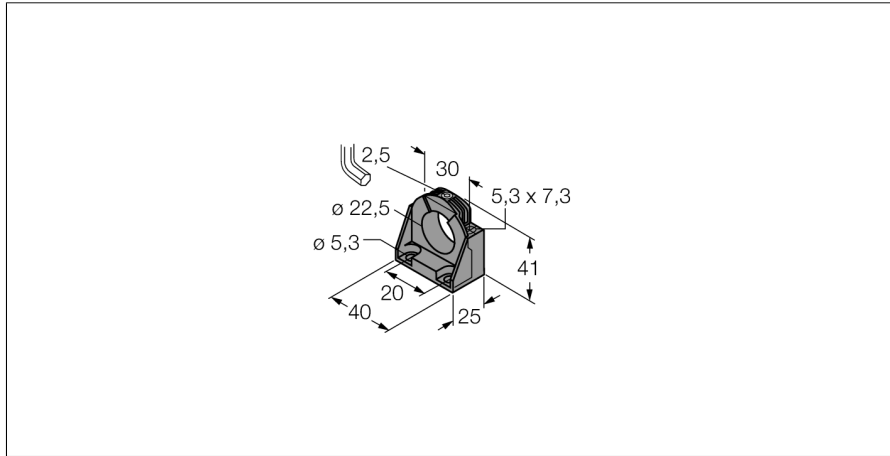


Accessories

Mounting Clamp

BS4-CK40



- Mounting bracket
- GRIVORY GV-4H plastic
- For CK40 model sensors

| | |
|-------------------------|---|
| Type designation | BS4-CK40 |
| Ident-No. | 6946006 |
| Design | Accessories for rectangular types, CK40 |
| Dimensions | 25 x 40 x 41 mm |
| Housing material | Plastic, PA66+PA6I/6T, MH, 14-140, GF40 |