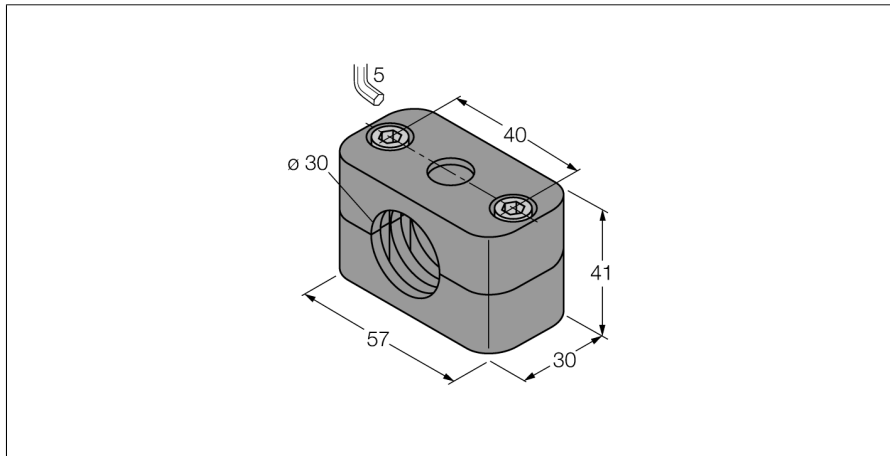


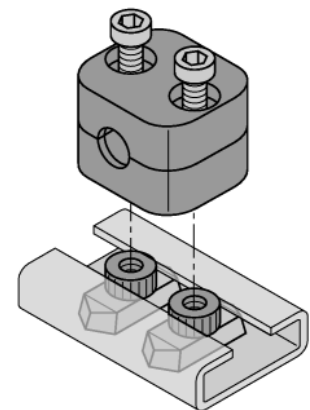
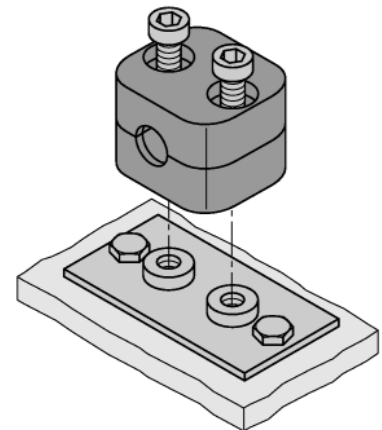
**Accessories**  
**Mounting Clamp**  
**BSS-30**



- Mounting accessories for M30x1.5 threaded barrel sensors
- Plastics, polypropylene

**General description**

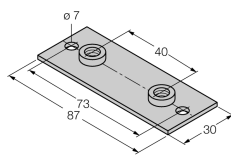
The portfolio consists of two half-shells and two Allen screws each. Optionally, welding plates or DIN rail nuts can be used (to be ordered separately).



<b>Type designation</b>	BSS-30
Ident-No.	6901319
<b>Design</b>	Accessories for threaded barrels, M30
Dimensions	30 x 57 x 41 mm
Housing material	Plastic, PP, Green
Max. tightening torque housing nut	1 Nm
<b>Included in delivery</b>	2 x Allen screws, M6

**Accessories**  
**Mounting Clamp**  
**BSS-30**

**Accessories**

Type code	Ident-No.	Description	Dimension drawing
BSS-SPV4	6901347	Weld-on plate for BSS mounting brackets	
BSS-TSM 2 pcs	6901323	DIN rail nut for BSS mounting clamps, for mounting on DIN rails	