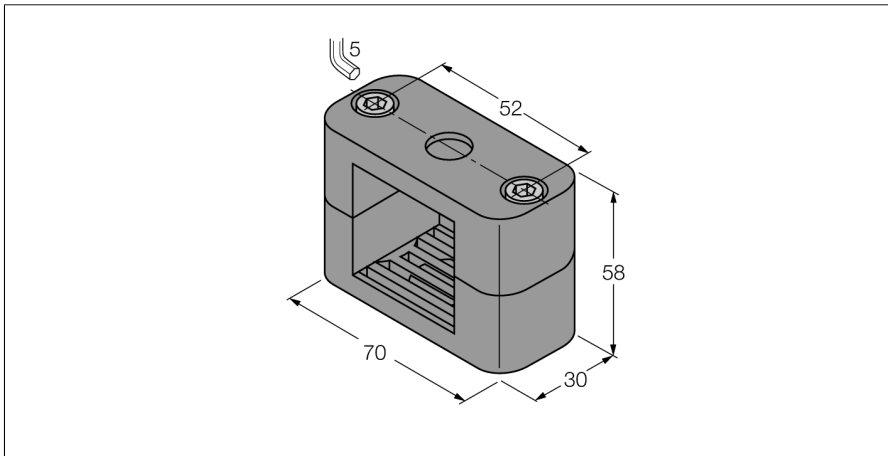


Accessories

Mounting Clamp

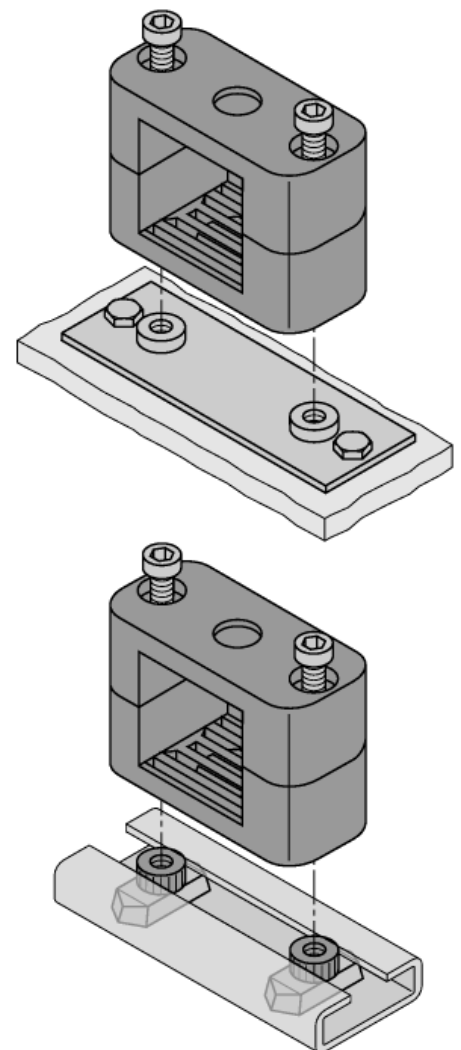
BSS-CP40



- Mounting clamps for 40 x 40 mm sensors
- Plastic, polypropylene

General description

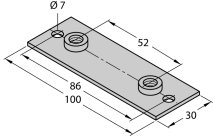
The portfolio consists of two half-shells and two Allen screws each. Optionally welding plates with additional drilling holes can be used. Matching DIN rail nuts are available for the mounting of DIN rails.



Type designation	BSS-CP40
Ident-No.	6901318
Design	Accessories for rectangular types, CP40
Dimensions	30 x 69.5 x 57 mm
Housing material	Plastic, PP, Green
Max. tightening torque housing nut	1 Nm
Included in delivery	2 x Allen screws, M6

Accessories
Mounting Clamp
BSS-CP40

Accessories

Type code	Ident-No.	Description	Dimension drawing
BSS-SPV5	6901324	Weld-on plate for BSS mounting brackets	
BSS-TSM 2 pcs	6901323	DIN rail nut for BSS mounting clamps, for mounting on DIN rails	