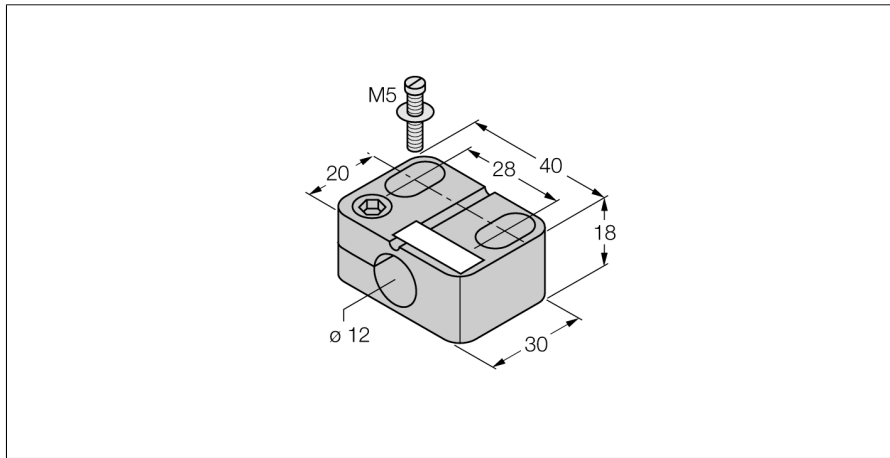
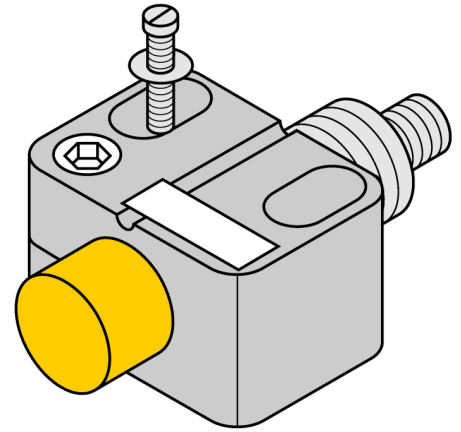


Accessories
Mounting Clamp
BST-12N



- fixing clamp without dead-stop
- Plastic PA6



Type designation	BST-12N
Ident-No.	6947213
Design	Accessories for threaded barrels, M12
Dimensions	30 x 40 x 18 mm
Housing material	Plastic, PA6, Black
Max. tightening torque housing nut	0.5 Nm