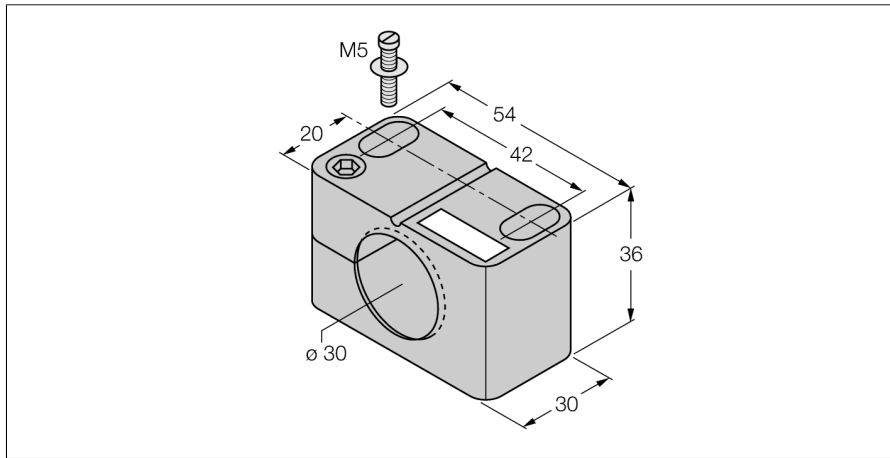
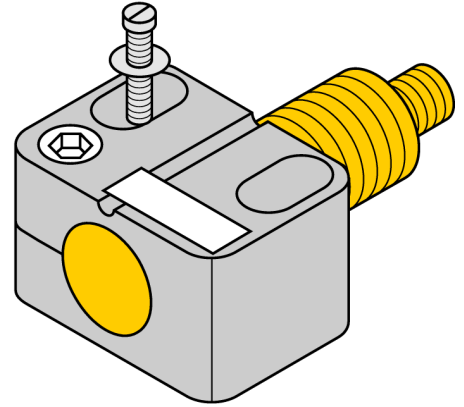


Accessories
Mounting Clamp
BST-30B



- Fixing clamp with dead-stop
- Plastic PA6



Type designation	BST-30B
Ident-No.	6947216
Design	Accessories for threaded barrels, M30
Dimensions	30 x 54 x 36 mm
Housing material	Plastic, PA6, Black
Max. tightening torque housing nut	1 Nm