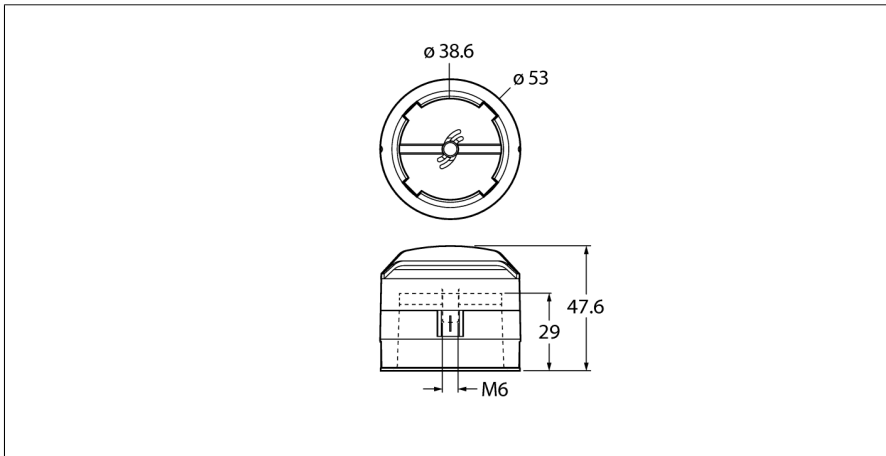


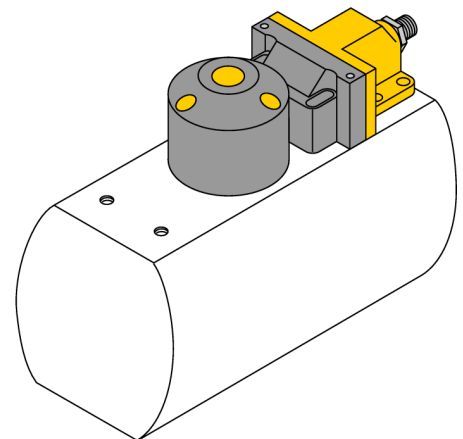
**Accessories**  
**Actuator (puck)**  
**BTS-DSC26-EB20**



- End position damped
- Displays rotatable by 90 °
- Hole pattern on flange: 80 x 30 mm
- Connection shaft (shaft extension) height: 30 mm/Ø: max. 38 mm
- Available as an option: Spacer BTS-DSC26-UR10 for 20-mm-high connection shafts (shaft extension)

**General description**

Dual sensors are especially designed for position detection in rotary actuators. They combine the reliability of non-contact inductive sensors with the flexibility of a modular housing system. A broad range of practice-oriented accessories ensure optimal adaption to your system.



<b>Type designation</b>	BTS-DSC26-EB20
Ident-No.	100002102
<b>Design</b>	Accessories for dual sensors, Ni4-DSC26-..., Ni4-DSU26...
Housing material	Plastic, PA6
Tightening torque fixing screw	1.5 Nm
<b>Included in delivery</b>	1 pcs. countersunk screws: M6 x 16, DIN 7991-A2

**Accessories**  
**Actuator (puck)**  
**BTS-DSC26-EB20**

**Accessories**

Type code	Ident-No.	Description	Dimension drawing
BTS-DSC26-UR10	100002103	Spacer for dual sensor actuation kitBTS-DSC26-EB20	