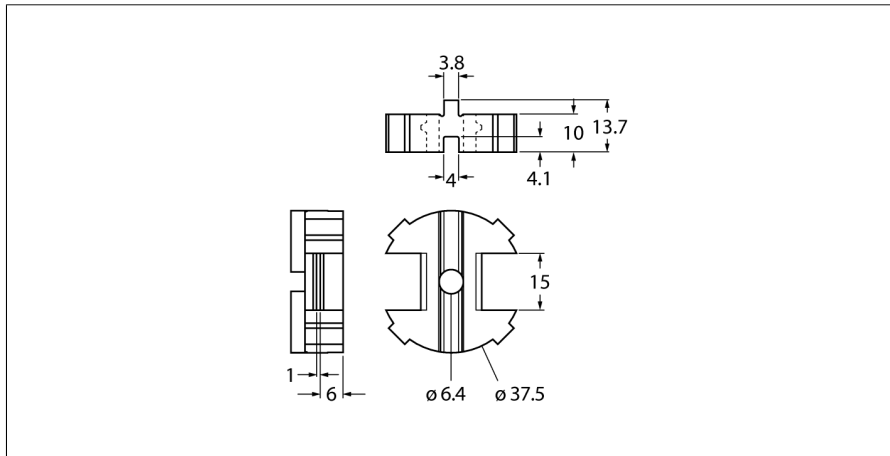


Accessories
Spacer for Actuator (Puck)
BTS-DSC26-UR10



- For actuation kit (puck) **BTS-DSC26-EB20**
- With this accessory, the puck can be mounted on a connection shaft (shaft extension) with a height of 20 mm

General description

Dual sensors are especially designed for position detection in rotary actuators. They combine the reliability of non-contact inductive sensors with the flexibility of a modular housing system. A broad range of practice-oriented accessories ensure optimal adaption to your system.

Type designation	BTS-DSC26-UR10
Ident-No.	100002103
Design	Accessories for dual sensors, Ni4-DSC26-..., Ni4-DSU26...
Housing material	Plastic, PA6, Black
Included in delivery	1 pcs. countersunk screws: M6 × 25, DIN 7991-A2

