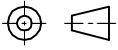


ISOMETRIC VIEW

SOURCE DRAWING - FOR REFERENCE ONLY

RELATED DOCUMENTS 1. 2. 3. 4.		3RD ANGLE PROJECTION 		THIS DRAWING IS CONFIDENTIAL AND THE PROPERTY OF TURCK INC. USE OF THIS DOCUMENT WITHOUT WRITTEN PERMISSION IS PROHIBITED.		3000 CAMPUS DRIVE MINNEAPOLIS, MN 55441 1-800-544-7769 (763) 553-7300 (763) 553-0708 fax www.turck.us	
		MATERIAL		DRFT RDS DATE 07/03/02		DESCRIPTION CM-R10	
FINISH		ALL DIMENSIONS DISPLAYED ON THIS DRAWING ARE FOR REFERENCE ONLY		DSGN SCALE 1=.8		IDENTIFICATION NO. A0857	
CONTACT TURCK FOR MORE INFORMATION		UNIT OF MEASUREMENT <b>INCH [ MILLIMETER ]</b>		DO NOT SCALE THIS DRAWING		REV A	
A DRAWING RELEASE		CBM 11/05/03		FILE: A0857		SHEET 1 OF 1	
REV	DESCRIPTION	BY	DATE	ECO NO.			

A	DRAWING RELEASE	CBM	11/05/03	
REV	DESCRIPTION	BY	DATE	ECO NO.