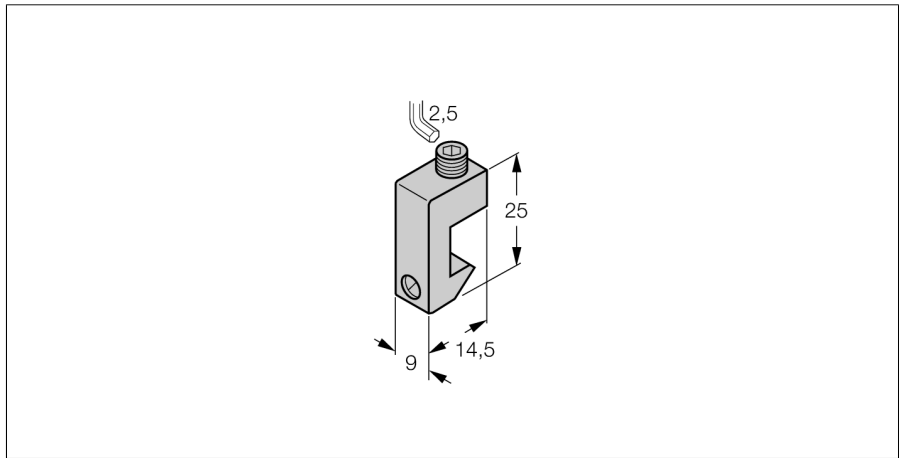
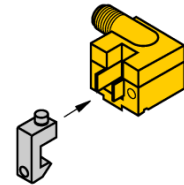
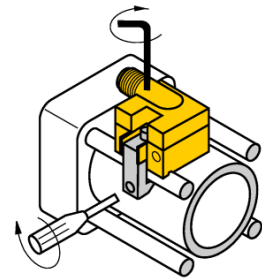


**Accessories**  
**Mounting Bracket**  
**For Tie-Rod Cylinders**  
**KLA1**



- Mounting on tie-rod cylinders
- Cylinder diameter: 32...50 mm
- Aluminum



<b>Type designation</b>	KLA1
Ident-No.	69700
<b>Design</b>	Accessories, AKT
Dimensions	20 x 14,5 x 9 mm
Housing material	Metal, AL
Fixing clamp for correspondent cylinder diameter	32...50 mm
Clamping width min.	4 mm
Max.clamp width	8 mm