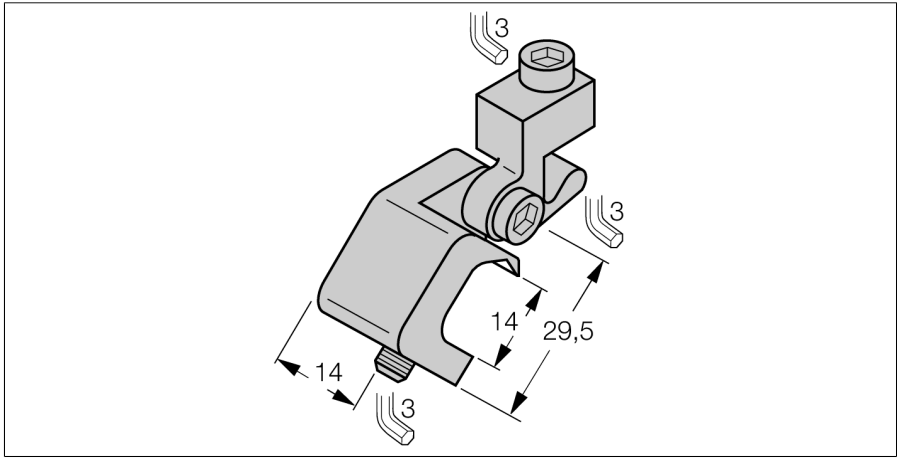
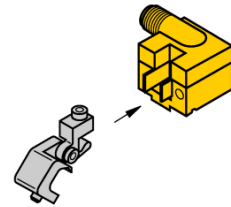
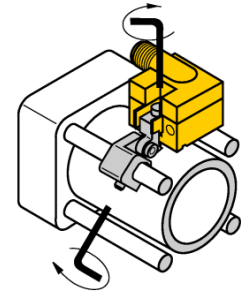


Accessories
Mounting Bracket
For Tie-Rod Cylinders
KLA2



- Mounting on tie-rod cylinders
- Cylinder diameter: 40...125 mm
- Aluminum



| | |
|--|------------------|
| Type designation | KLA2 |
| Ident-No. | 69701 |
| Design | Accessories, AKT |
| Dimensions | 29.5 x 14 mm |
| Housing material | Metal, AL |
| Fixing clamp for correspondent cylinder diameter | 40...125 mm |
| Clamping width min. | 7 mm |
| Max.clamp width | 13 mm |