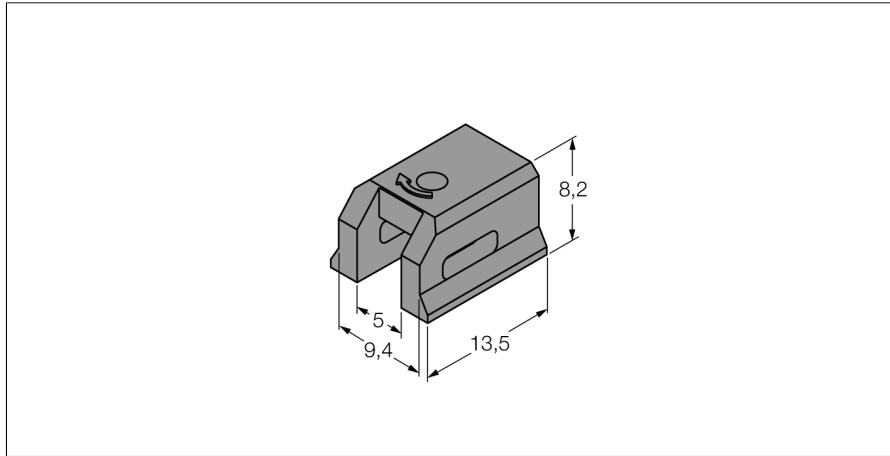


Accessories

Mounting Bracket

For Dovetail Groove Cylinders

KLDT-UNT3



- Mounting on dovetail groove cylinders
- Groove width: 9.4 mm (e.g. Bosch, Joucomatic)
- Plastic: Polyphenylene sulfide (PPS)

Type designation	KLDT-UNT3
Ident-No.	6913352
Design	Accessories
Dimensions	13.5 x 9.4 x 8.2 mm
Housing material	Plastic
Fixing clamp for correspondent cylinder diameter	alle