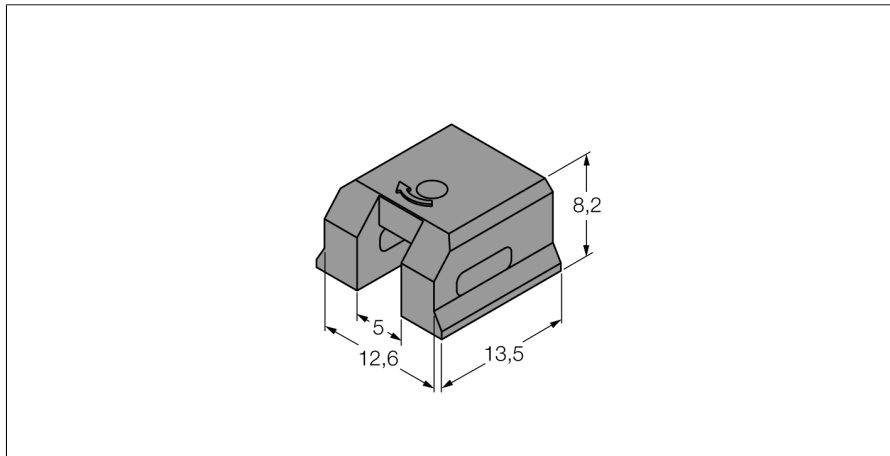


## Accessories

### Mounting Bracket

#### For Dovetail Groove Cylinders

#### KLDT-UNT5



- Mounting on dovetail groove cylinders
- Groove width: 12.6 mm (e.g. Parker)
- Plastic: Polyphenylene sulfide (PPS)

<b>Type designation</b>	KLDT-UNT5
Ident-No.	6913354
<b>Design</b>	Accessories
Dimensions	13.5 x 12.6 x 8.2 mm
Housing material	Plastic
Fixing clamp for correspondent cylinder diameter	alle