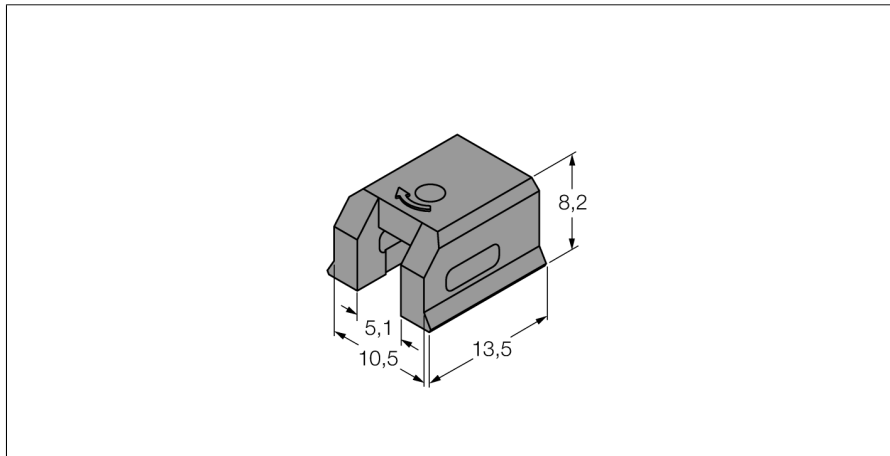


## Accessories

### Mounting Bracket

#### For Dovetail Groove Cylinders

#### KLDT-UNT7



- Mounting on dovetail groove cylinders
- Groove width: 10.5 mm
- Plastic: Polyphenylene sulfide (PPS)

<b>Type designation</b>	KLDT-UNT7
Ident-No.	6913356
<b>Design</b>	Accessories
Dimensions	13.5 x 10.5 x 9.5 mm
Housing material	Plastic
Fixing clamp for correspondent cylinder diameter	alle