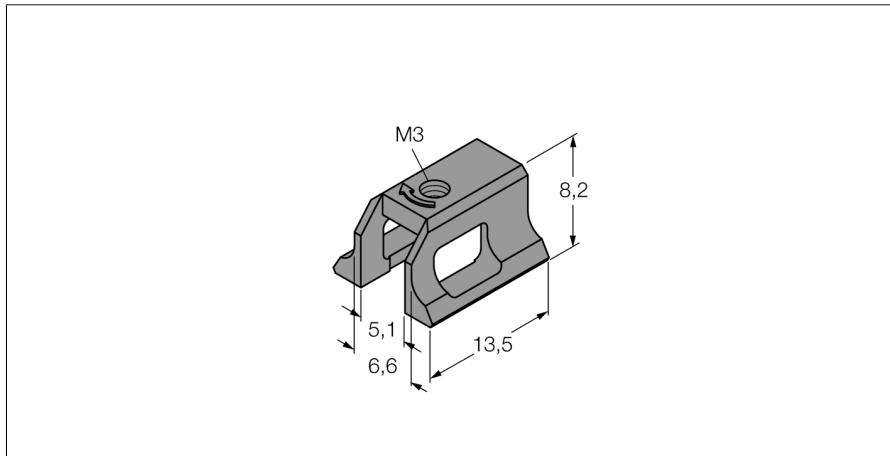


## Accessories

### Mounting Bracket

#### For Dovetail Groove Cylinders

#### KLDT-UNT8



- Mounting on dovetail groove cylinders
- Optimized for Origa cylinder
- Inserted in the groove from the top
- Plastic: Polyphenylene sulfide (PPS)

<b>Type designation</b>	KLDT-UNT8
Ident-No.	6913360

<b>Design</b>	Accessories
Dimensions	13.5 x 6 x 8.2 mm
Housing material	Plastic
Fixing clamp for correspondent cylinder diameter	alle