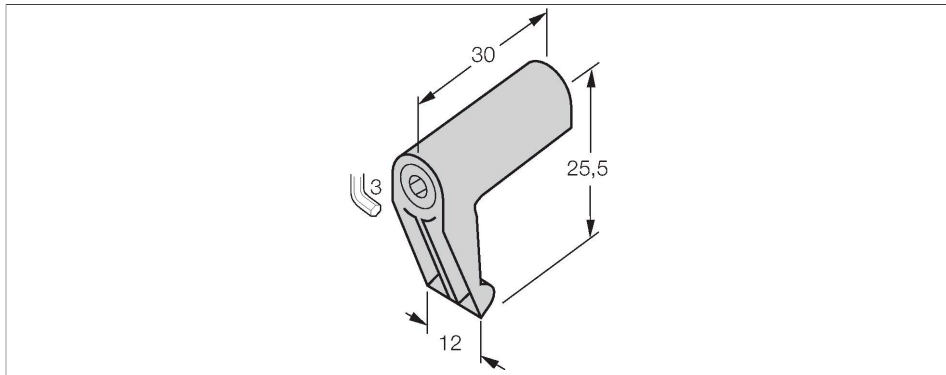


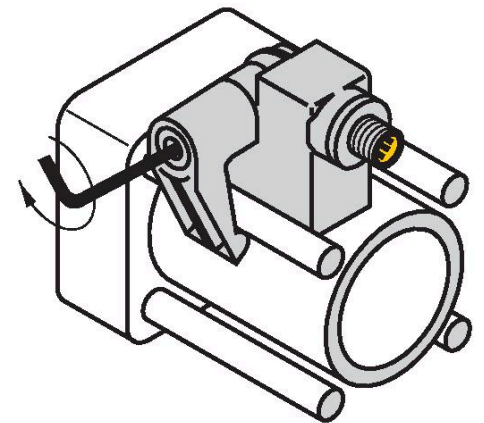
## KLI1 Accessories – Mounting Bracket For Tie-Rod Cylinders



### Features

- Mounting on tie-rod cylinders
- Cylinder diameter: 32...100 mm
- Material: Die-cast Zinc

### Functional principle



### Technical data

Type	KLI1
Ident. no.	69710
Design	Accessories, IKE, IKT, IKM
Dimensions	30 x 25.5 x 12 mm
Housing material	Metal, GD-Zn
Fixing clamp for correspondent cylinder diameter	32...100 mm
Clamping width min.	4
Max.clamp width	13

