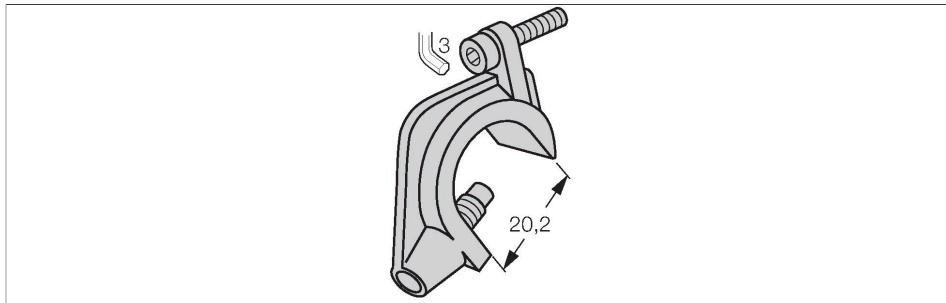


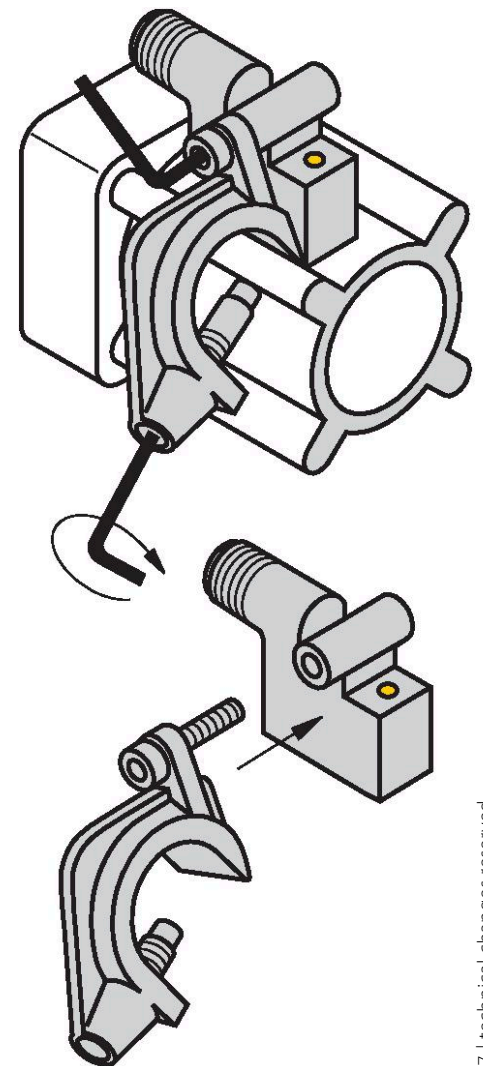
## KLI2 Accessories – Mounting Bracket For Profile Cylinders



### Features

- Mounting on tie-rod cylinders
- Cylinder diameter: 32...100 mm
- Material: Die-cast Zinc

### Functional principle



### Technical data

Type	KLI2
Ident. no.	69711
Design	Accessories, IKE, IKT, IKM
Housing material	Metal, GD-Zn
Fixing clamp for correspondent cylinder diameter	32...100 mm
Clamping width min.	9
Max.clamp width	20