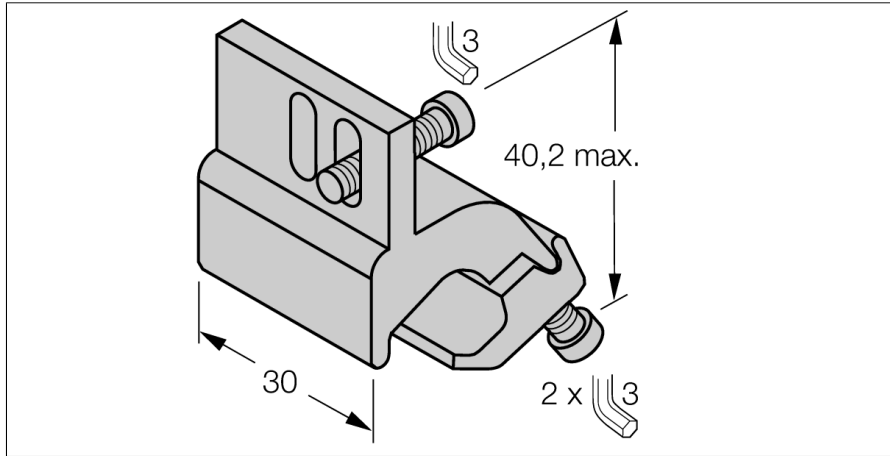
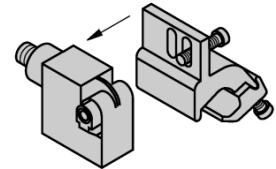
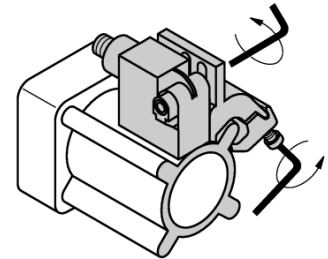


Accessories
Mounting Bracket
For Profile Cylinders
KLI5



- Mounting on profile cylinders
- Cylinder diameter: 32...50 mm
- Material: Aluminum



Type designation	KLI5
Ident-No.	6971802
Design	Accessories, IKE, IKT, IKM
Dimensions	40.2 x 30 mm
Housing material	Metal, AL
Fixing clamp for correspondent cylinder diameter	32...50 mm
Clamping width min.	8 mm
Max.clamp width	14 mm