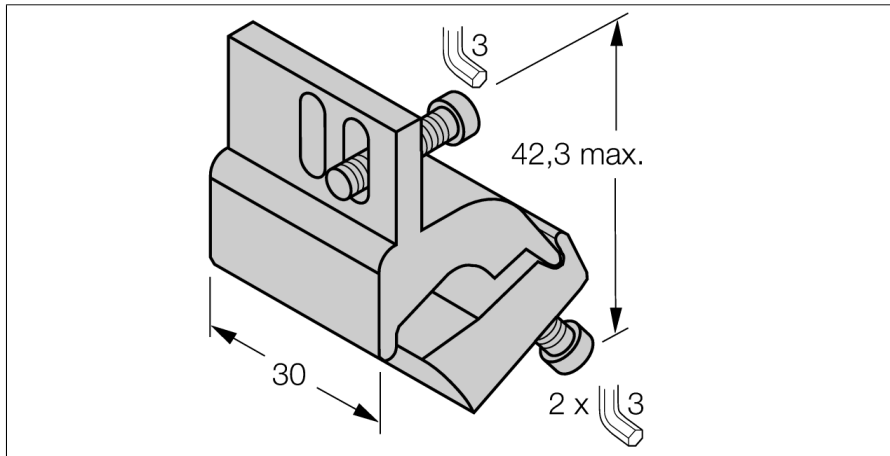
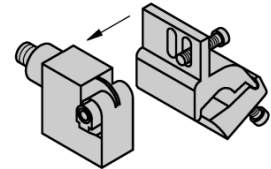
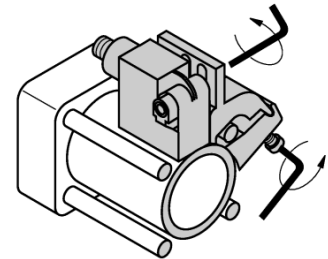


Accessories
Mounting Bracket
For Tie-Rod Cylinders
KLI5Z



- Mounting on tie-rod cylinders
- Cylinder diameter: 32...63 mm
- Material: Aluminum



Type designation	KLI5Z
Ident-No.	6971803
Design	Accessories, IKE, IKT, IKM
Dimensions	42.3 x 30 mm
Housing material	Metal, AL
Fixing clamp for correspondent cylinder diameter	32...63 mm
Clamping width min.	4 mm
Max.clamp width	8 mm