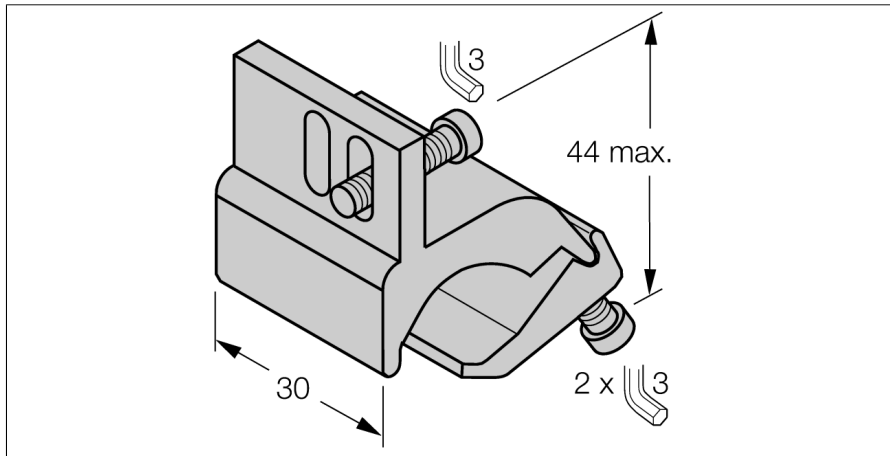
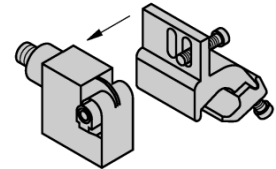
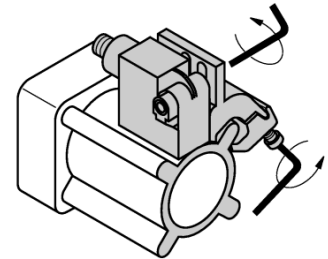


Accessories
Mounting Bracket
For Profile Cylinders
KLI6



- Mounting on profile cylinders
- Cylinder diameter: 50...100 mm
- Material: Aluminum



Type designation	KLI6
Ident-No.	6971805
Design	Accessories, IKE, IKT, IKM
Dimensions	44 x 30 mm
Housing material	Metal, AL
Fixing clamp for correspondent cylinder diameter	50 ... 100 mm
Clamping width min.	11 mm
Max.clamp width	19 mm