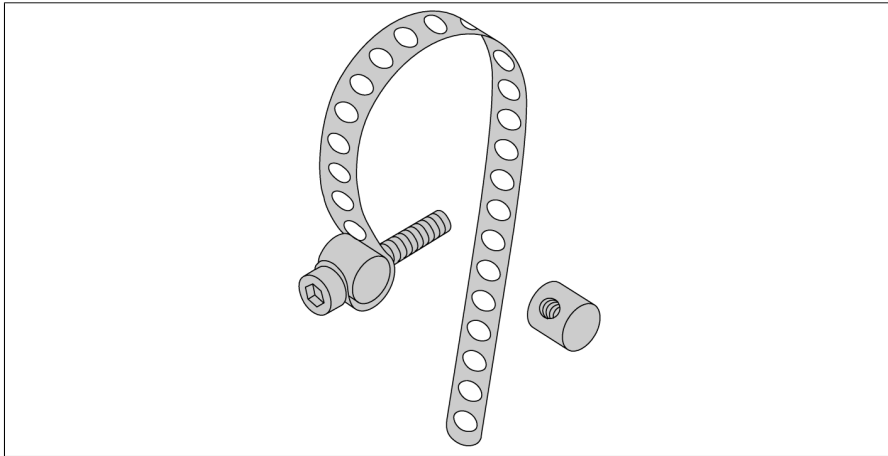
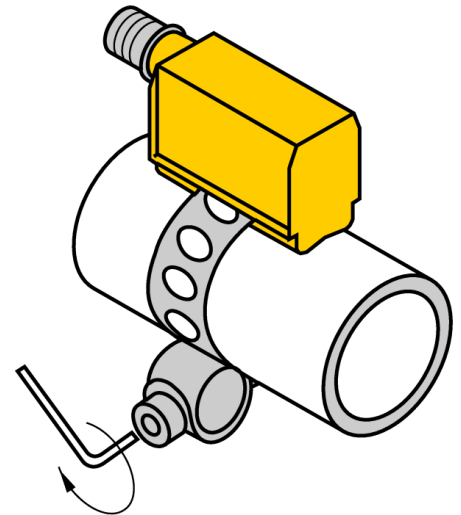


Accessories
Assembly Bell
For Round Cylinders
KLP 200-VA



Mounting kit consisting of: Mounting kit consisting of retaining strap, cylinder diameters of 80...200 mm; (material: stainless steel), 2 tie bolts (material: brass) cylinder screw M3 x 20; DIN 912-A20



Type designation	KLP 200-VA
Ident-No.	6965302
Design	Accessories, PST
Housing material	Metal, V2A (1.4301)
Fixing clamp for correspondent cylinder diameter	80...200 mm