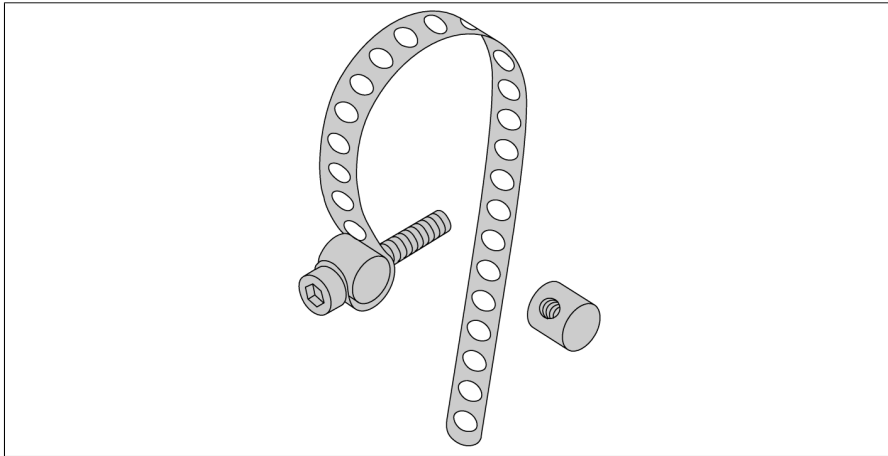
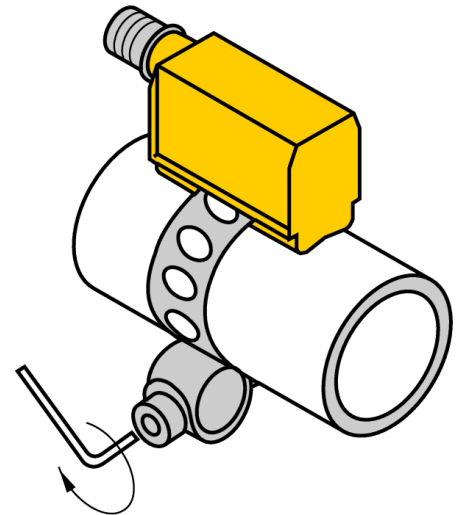


Accessories
Assembly Bell
For Round Cylinders
KLP 80-VA



mounting kit consisting of: Retaining strap, cylinder diameters of 25...80 mm; (material: stainless steel), 2 tie bolts (material: brass, alternatively stainless steel) cylinder screw M3 x 20; DIN 912-A20



Type designation	KLP 80-VA
Ident-No.	69654
Design	Accessories, PST
Housing material	Metal, V2A (1.4301)
Fixing clamp for correspondent cylinder diameter	25...80 mm