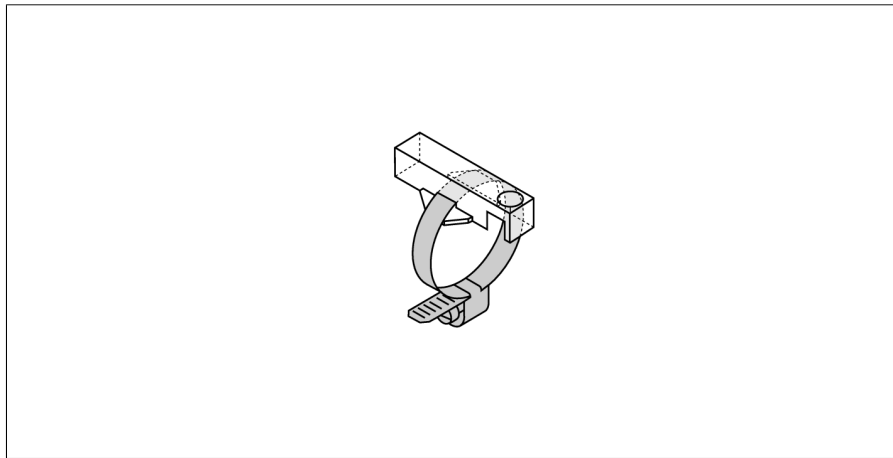
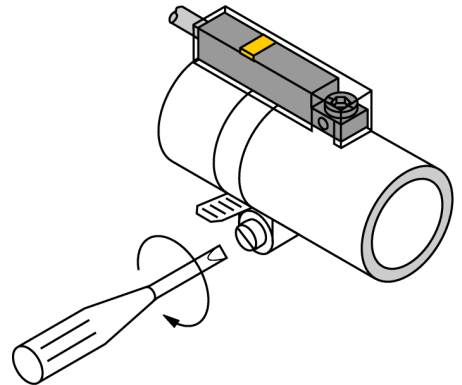


Accessories
Mounting Bracket
For Round Cylinders, Tie-rod Cylinders
KLR1



- Mounting on round cylinders using tensioning straps
- For various cylinder diameters
- Plastic: Trogamid



Type designation	KLR1
Ident-No.	6970600
Design	Accessories, INT
Dimensions	33 x 15 x 9 mm
Housing material	Plastic, Trogamid