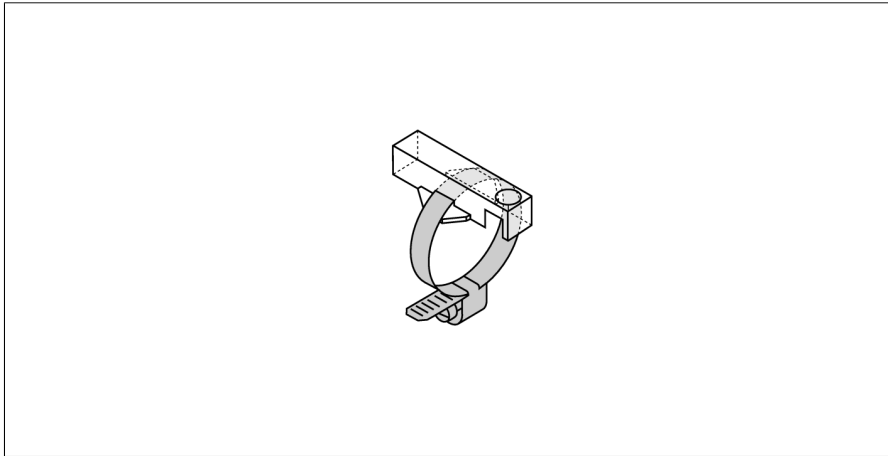


## Accessories

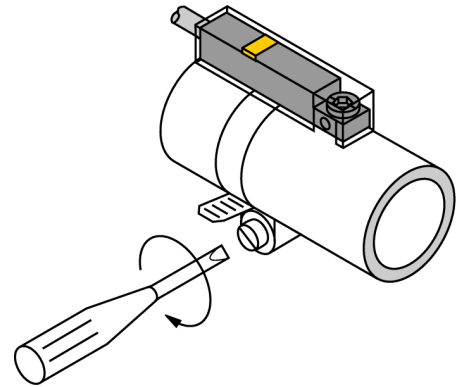
### Mounting Bracket with Clip Collar

### For Round Cylinders, Tie-rod Cylinders

### KLR1-ASB6



- Mounting on round cylinders
- Cylinder diameter: 51...58 mm
- Plastic: Trogamid



<b>Type designation</b>	KLR1-ASB6
Ident-No.	6970603
<b>Design</b>	Accessories, INT
Dimensions	33 x 15 x 9 mm
Housing material	Plastic, Trogamid
Fixing clamp for correspondent cylinder diameter	51...58 mm