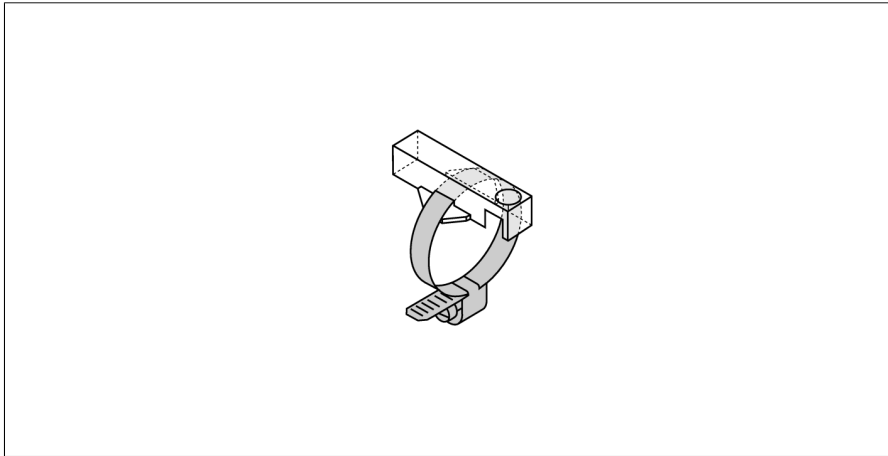


## Accessories

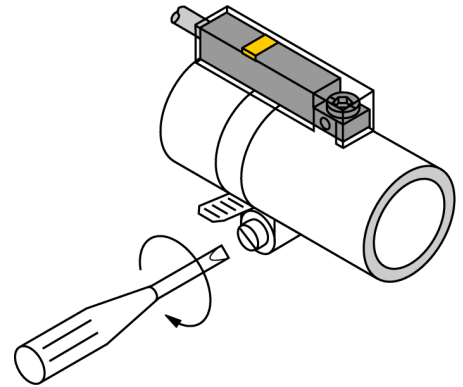
### Mounting Bracket with Clip Collar

#### For Round Cylinders or Tie-rod cylinders

#### KLR1-ASB9



- Mounting on round cylinders
- Cylinder diameter: 78...89 mm
- Plastic: Trogamid



<b>Type designation</b>	KLR1-ASB9
Ident-No.	6970607
<b>Design</b>	Accessories, INT
Dimensions	33 x 15 x 9 mm
Housing material	Plastic, Trogamid
Fixing clamp for correspondent cylinder diameter	78...89 mm