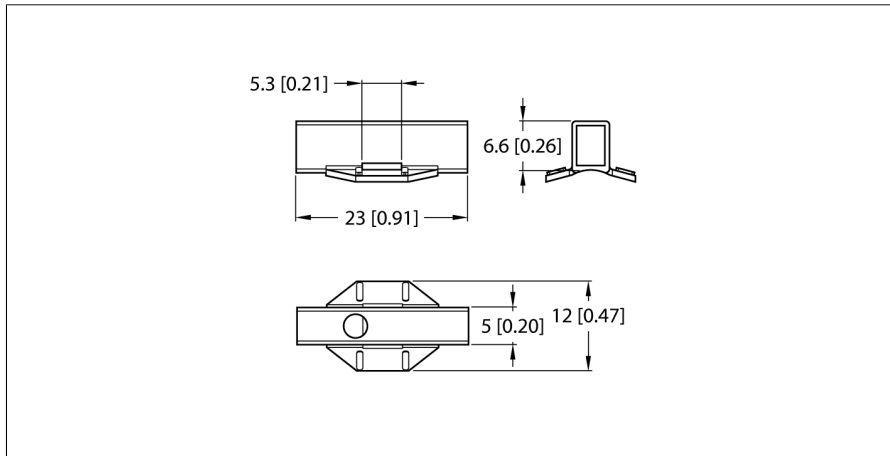
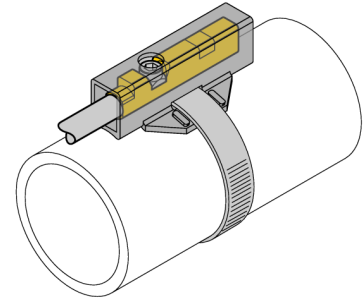


Accessories
Mounting Bracket
For Round Cylinders
KLR2-UNR



- Mounting on round cylinders
- For various cylinder diameters
- Plastic: Trogamid



Type designation	KLR2-UNR
Ident-No.	100000596

Design	Accessories
Dimensions	23 x 12 x 6.6 mm
Housing material	Plastic, Trogamid

Accessories

Mounting Bracket For Round Cylinders KLR2-UNR

Accessories

Type code	Ident-No.	Description	Dimension drawing
ASB-4	6965104	Clip collar for mounting brackets for magnetic field sensors on round cylinders; cylinder diameter: 28...39 mm; other lengths are available under designations ASB-1 to ASB-9	