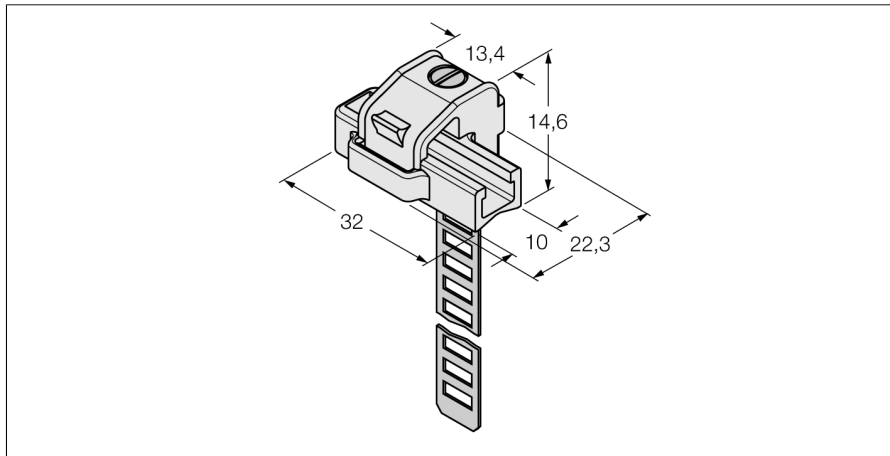


## Accessories

### Mounting Bracket

#### For Cylinders, Tie-Rod Cylinders

#### KLRC-UNT3



- Mounting on round cylinders
- Cylinder diameter: 63...130 mm
- Material: PA 6I/6T/Nickel silver
- Fire-hazard classification acc. to UL94 - V2

<b>Type designation</b>	KLRC-UNT3
Ident-No.	6970628
<b>Design</b>	Accessories
Dimensions	32 x 22.3 x 14.6 mm
Housing material	Metal/plastic, PA 6I/6T/Nickel silver
Fixing clamp for correspondent cylinder diameter	63...130 mm