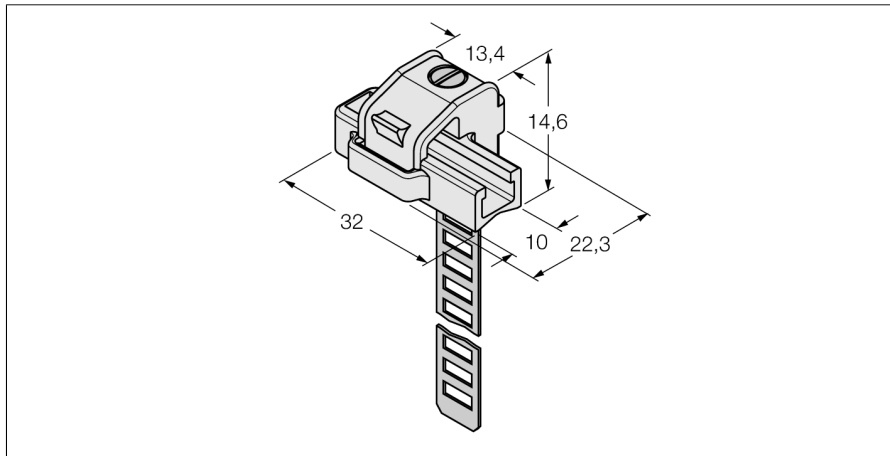


Accessories
Mounting Bracket
For Cylinders, Tie-Rod Cylinders
KLRC-UNT4



- Mounting on round cylinders
- Cylinder diameter: 130...250 mm
- Material: PA 6I/6T/Nickel silver
- Fire-hazard classification acc. to UL94 - V2

Type designation	KLRC-UNT4
Ident-No.	6970629
Design	Accessories
Dimensions	32 x 22.3 x 14.6 mm
Housing material	Metal/plastic, PA 6I/6T/Nickel silver
Fixing clamp for correspondent cylinder diameter	130...250 mm