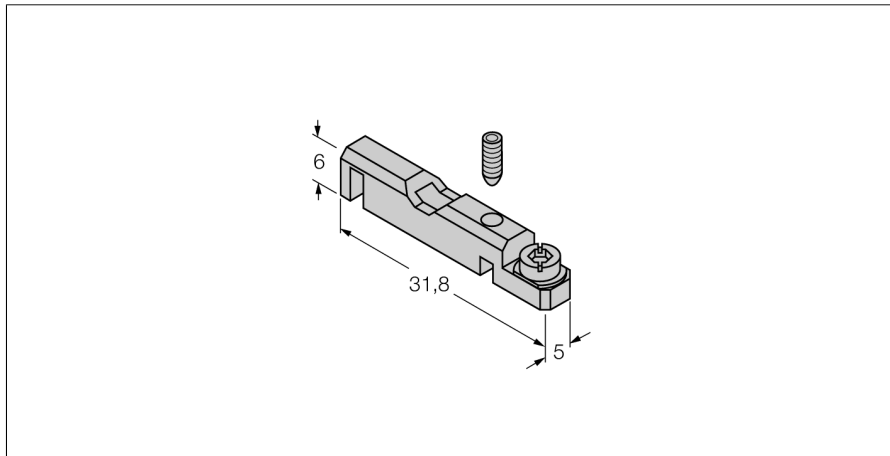
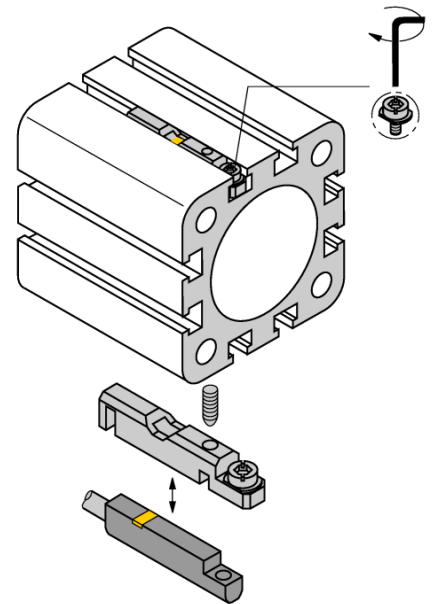


Accessories
Mounting Bracket
For T-groove Cylinders
KLT1



- mounting on t-groove cylinders
- Replacement without loss of switch-point
- T-groove diameter: 5...5.6 mm
- Plastic / metal: Chrome-plated brass



Type designation	KLT1
Ident-No.	6971204
Design	Accessories, INR
Dimensions	31.8 x 5 x 6 mm
Housing material	Metal/plastic, GD-Zn