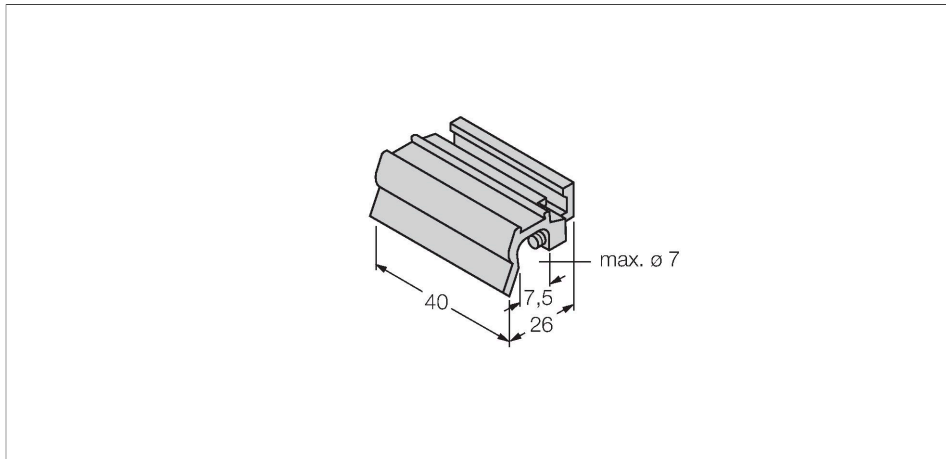


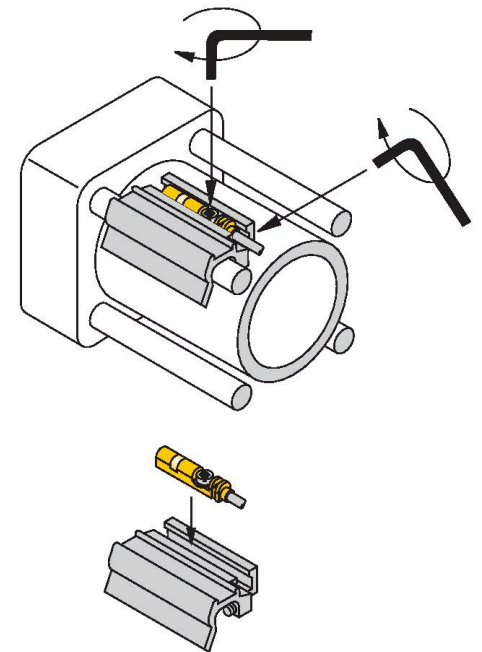
KLZ1-INT Accessories – Mounting Bracket For Tie-rod Cylinders



Features

- Mounting on tie-rod cylinders
- Cylinder diameter: 32...40 mm
- Tie rod diameters up to 7.2 mm
- Metal: Aluminum

Functional principle



Technical data

Type	KLZ1-INT
Ident. no.	6970410
Design	Accessories, INT
Dimensions	40 x 26 x 10 mm
Housing material	Metal, AL
Fixing clamp for correspondent cylinder diameter	32...40 mm