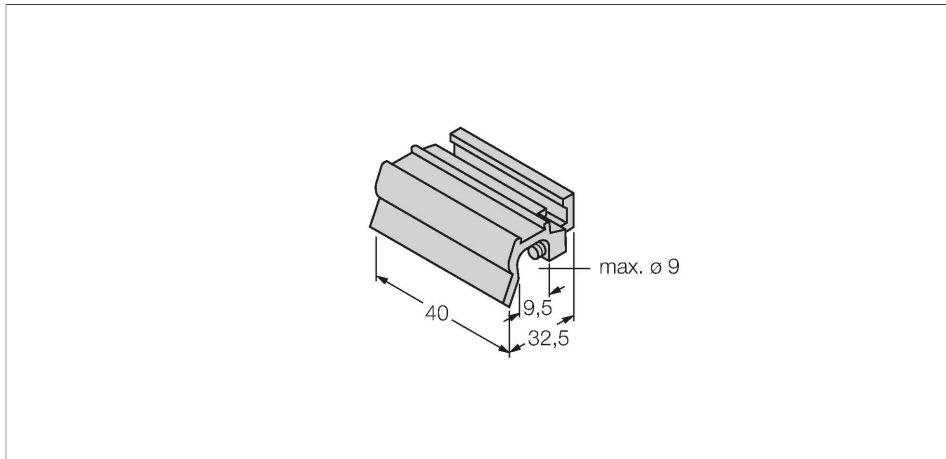


KLZ2-INT

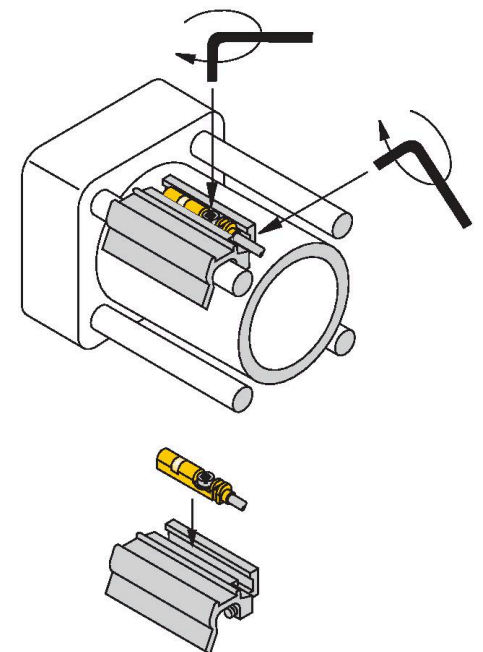
Accessories – Mounting Bracket For Tie-rod Cylinders



Features

- Mounting on tie-rod cylinders
- Cylinder diameter: 50...63 mm
- Tie rod diameter: up to 9 mm
- Metal: Aluminum

Functional principle



Technical data

Type	KLZ2-INT
Ident. no.	6970411
Design	Accessories, INT
Dimensions	40 x 32.5 x 15.5 mm
Housing material	Metal, AL
Fixing clamp for correspondent cylinder diameter	50...63 mm