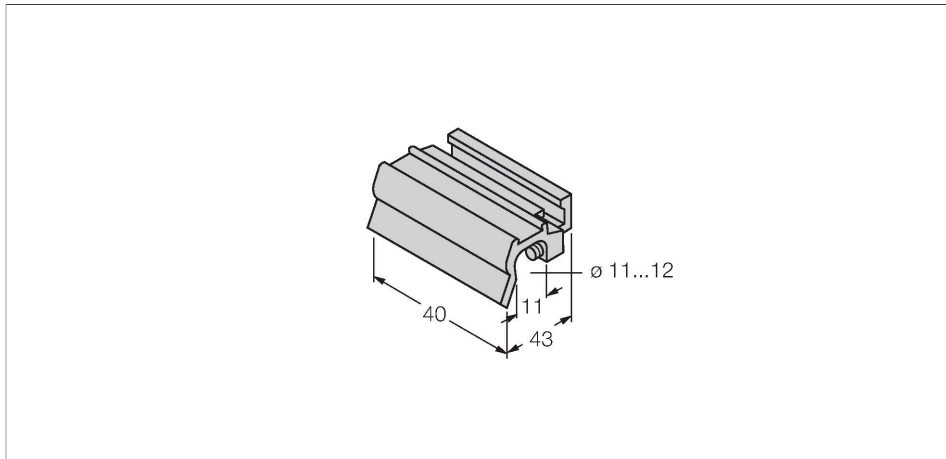


KLZ3-INT

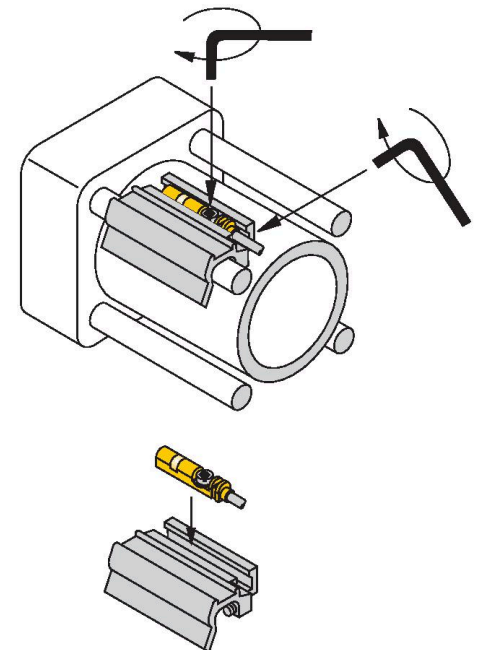
Accessories – Mounting Bracket For Tie-rod Cylinders



Features

- Mounting on tie-rod cylinders
- Cylinder diameter: 80...100 mm
- Tie rod diameter: up to 11 mm
- Metal: Aluminum

Functional principle



Technical data

Type	KLZ3-INT
Ident. no.	6970412
Design	Accessories, INT
Dimensions	40 x 43 x 17 mm
Housing material	Metal, AL
Fixing clamp for correspondent cylinder diameter	80...100 mm