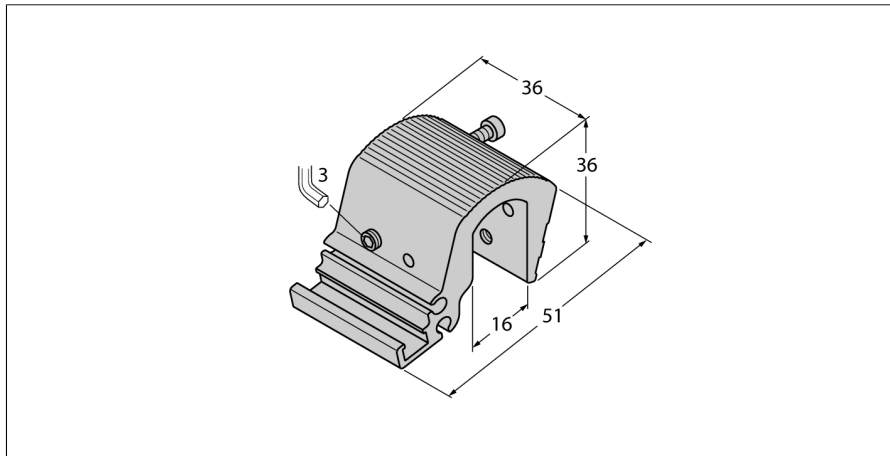
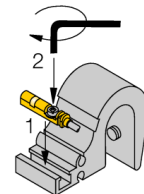
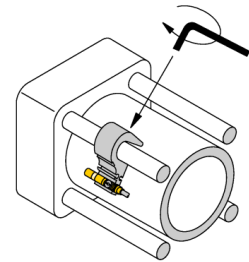


**Accessories**  
**Mounting Bracket**  
**For Tie-rod Cylinders**  
**KLZ51-INT**



- Mounting on tie-rod cylinders
- Cylinder diameter: 160...200 mm
- Tie rod diameter: up to 16 mm
- Metal: Aluminum



<b>Type designation</b>	KLZ51-INT
Ident-No.	6970417
<b>Design</b>	Accessories, INT
Dimensions	36 x 51 x 36 mm
Housing material	Metal, AL
Fixing clamp for correspondent cylinder diameter	160...200 mm