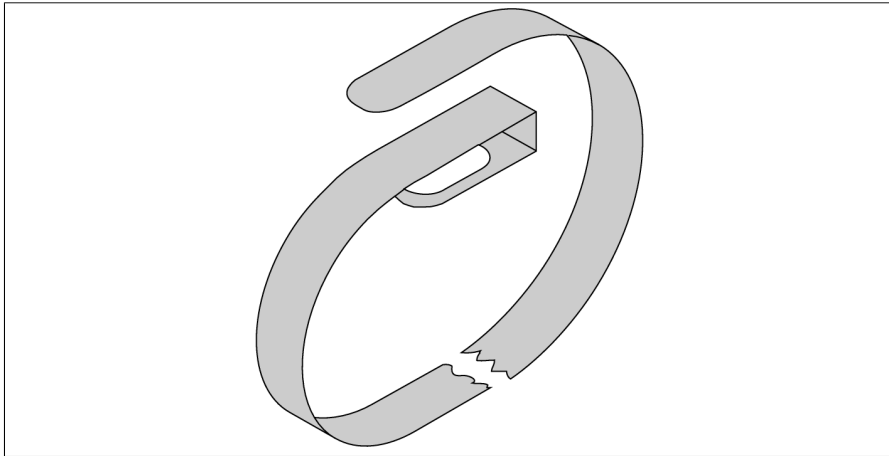


Accessories

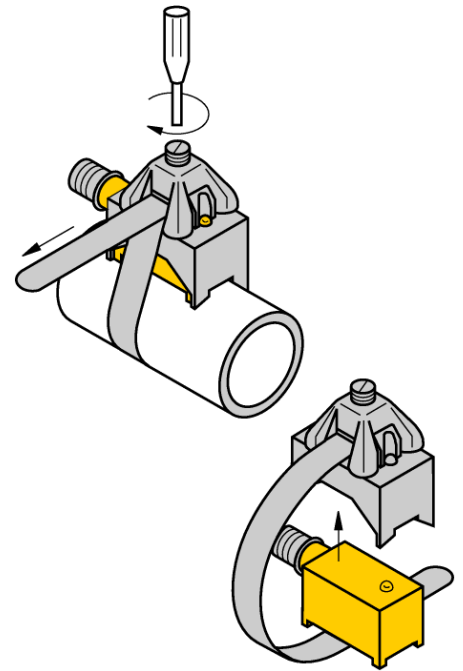
Assembly Bell

For Round Cylinders

KST-SB700



- Mounting on round cylinders
- Cylinder diameter 8...200 mm
- Material: Metal A2 1.4301 (AISI 304)



Type designation	KST-SB700
Ident-No.	69652
Design	Accessories, KST
Housing material	Metal, V2A (1.4301)
Fixing clamp for correspondent cylinder diameter	8...200 mm