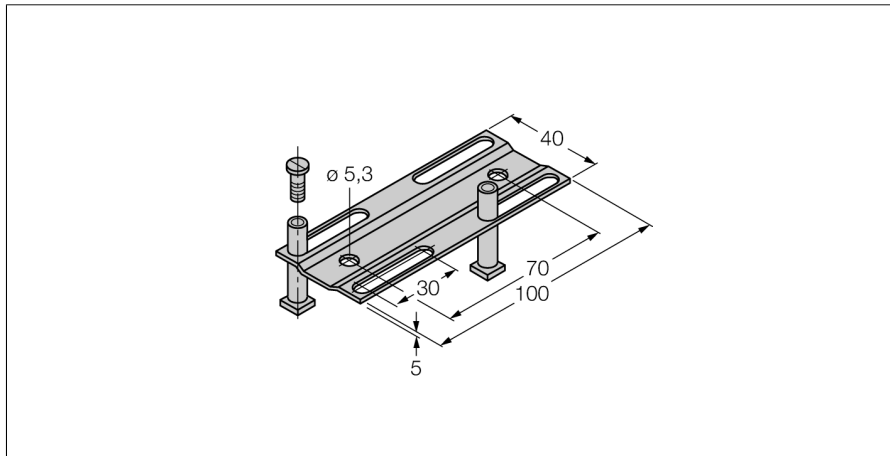


## Accessories

### Adjusting bar LSAP-2



- Adjusting bar for CP40-type sensors
- Stainless steel: VA 1.4301

<b>Type designation</b>	LSAP-2
Ident-No.	6942910
<b>Design</b>	Accessories for rectangular types, CP40
Dimensions	100 x 40 x 5 mm
Housing material	Metal, V2A (1.4301)
<b>Included in delivery</b>	2 sliding blocks, 2 cylinder screws M4 × 12 mm and 2 spring washers made of stainless steel