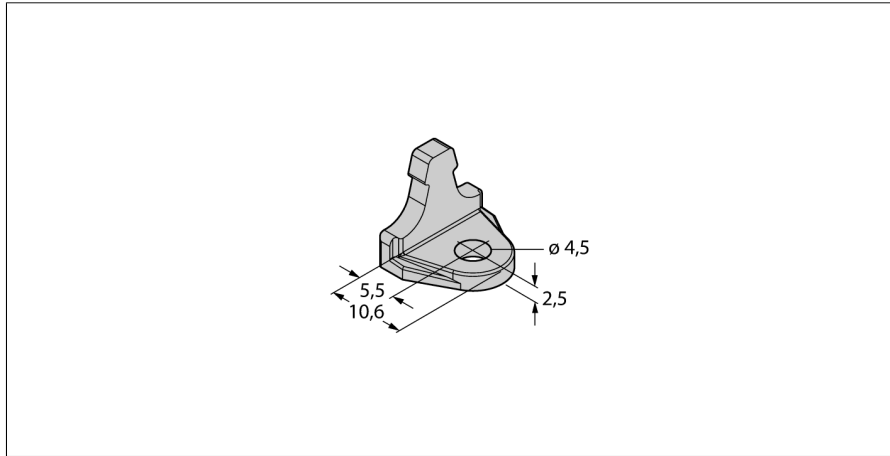


Accessories
Mounting Bracket
For Linear Position Sensors LI-Q17L
M1.1-Q17L



- Mounting bracket for linear position sensors Q17L
- Material: Aluminium
- Packaging unit: 3 pcs.

Type designation
Ident-No.

M1.1-Q17L
1590749