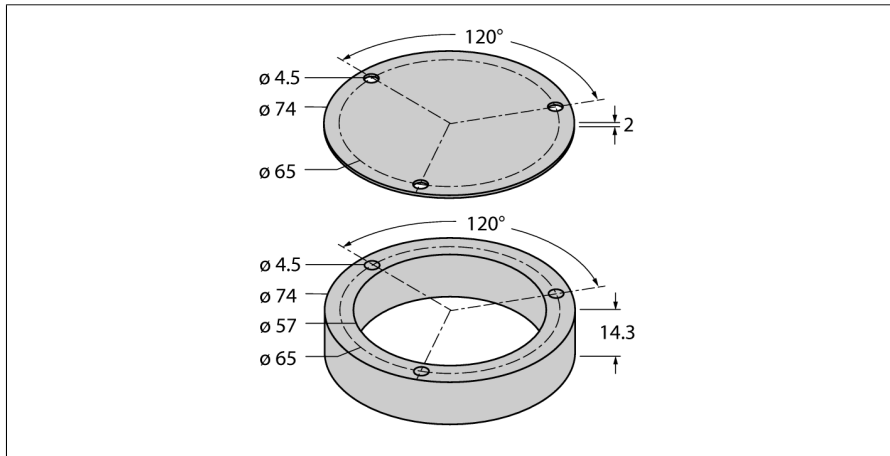


Accessories
Protecting Ring and Shield Plate
For Encoders RI-QR24
M2-QR24



- Positioning element
- Hollow shaft, internal diameter 6 mm
- Incl. mounting option for shaft adapter

Type designation	M2-QR24
Ident-No.	1590917
Housing material	Aluminium