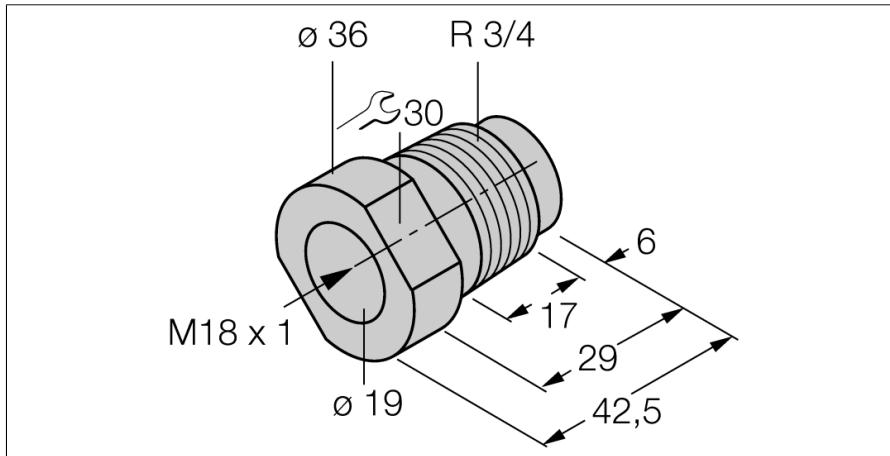


**Accessories**  
**Mounting Adapter**  
**MAP-M18**



- Mounting adapter M18 × 1
- Plastic: Polypropylene
- Very good chemical resistance
- Sensor can be removed from a filled container (adapter remains in container during replacement)

<b>Type designation</b>	MAP-M18
Ident-No.	6950012
<b>Static pressure</b>	≤ 5 bar
Ambient temperature	-20...+100 °C
<b>Design</b>	Accessories for threaded barrels, M18
Dimensions	42.5 mm
Housing material	Plastic, PP