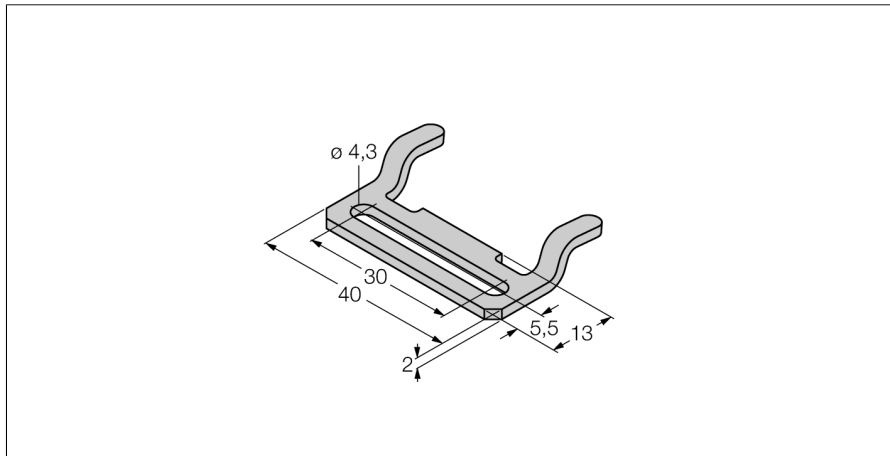


## Accessories

### Mounting Bracket

### For Linear Position Sensors

### MB1-Q25



- Mounting bracket for linear position sensors Q25L
- Stainless steel

|                         |                                   |
|-------------------------|-----------------------------------|
| <b>Type designation</b> | MB1-Q25                           |
| Ident-No.               | 6901026                           |
| <b>Design</b>           | Accessories for rectangular types |
| Packaging unit          | 2 Stück                           |