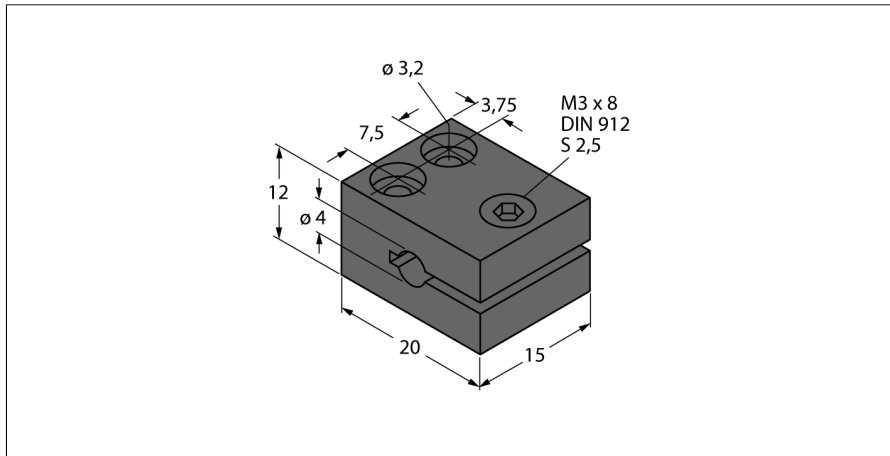


Accessories
Mounting Clamp
MBS40



- fixing clamp
- metal: Anodized aluminium

Type designation	MBS40
Ident-No.	69477
Design	Accessories for smooth barrels, 4 mm
Dimensions	15 x 20 x 12 mm
Housing material	Metal, AL, Anodized
Tightening torque fixing screw	2.8 Nm
Tightening torque	≤ 3 Nm