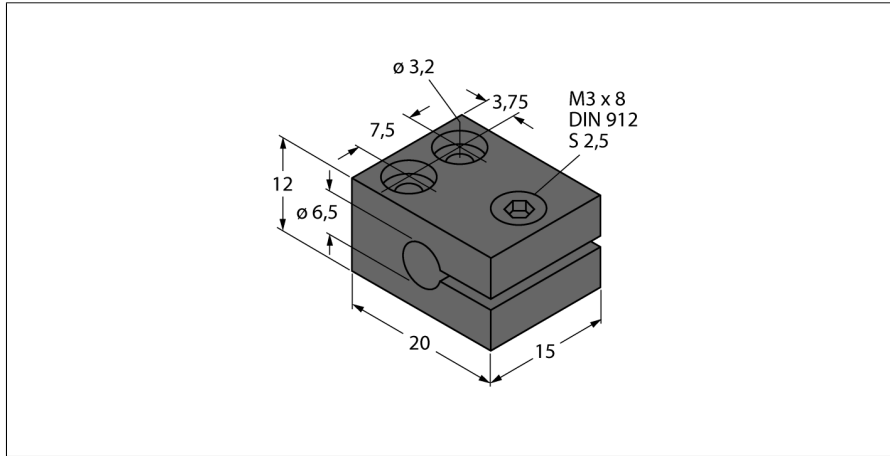


**Accessories**  
**Mounting Clamp**  
**MBS65**



- Fixing clamp
- Metal: Anodized aluminium

|                                |  |
|--------------------------------|--|
| <b>Type designation</b>        | MBS65                                  |
| Ident-No.                      | 69478                                  |
| <b>Design</b>                  | Accessories for smooth barrels, 6.5 mm |
| Dimensions                     | 15 x 20 x 12 mm                        |
| Housing material               | Metal, AL, Anodized                    |
| Tightening torque fixing screw | 2.8 Nm                                 |
| Tightening torque              | ≤ 3.5 Nm                               |