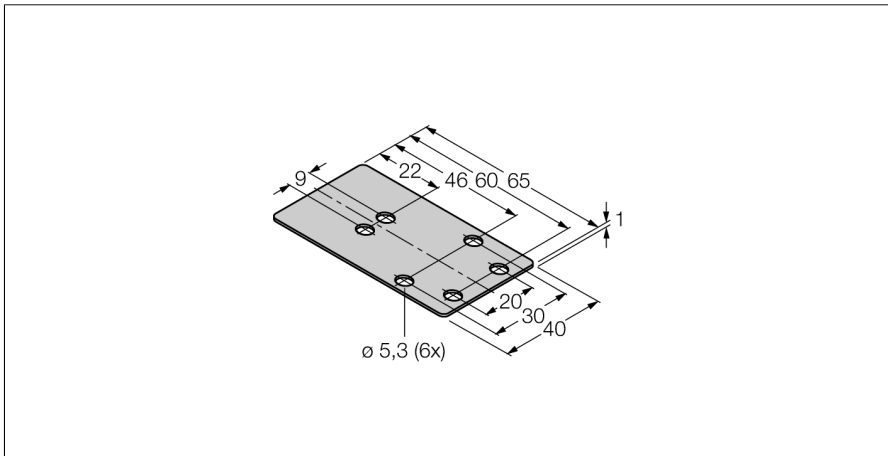


Accessories
protective frame
MF-CK40-1S

■ **Protective frame (one-side)**



Type designation	MF-CK40-1S
Ident-No.	6900481
Design	Accessories for rectangular types, CK40
Dimensions	65 x 40 x 1 mm
Housing material	Metal, V2A (1.4301)